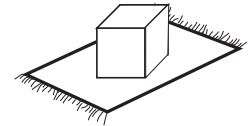




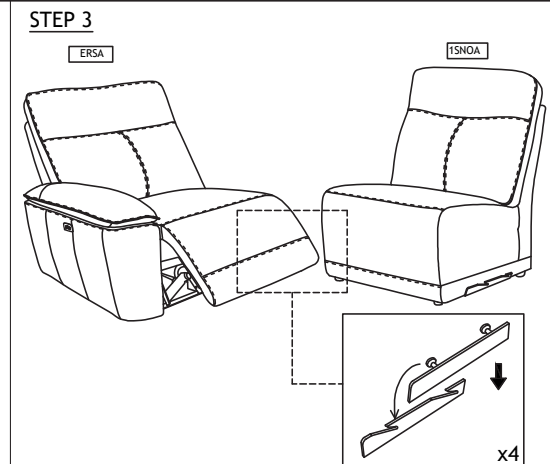
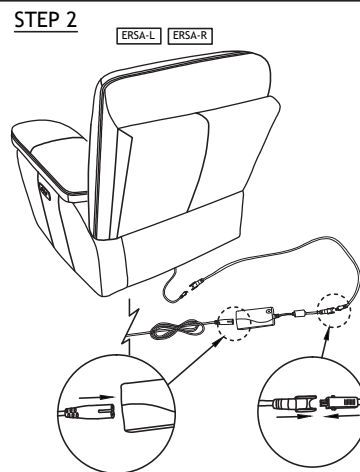
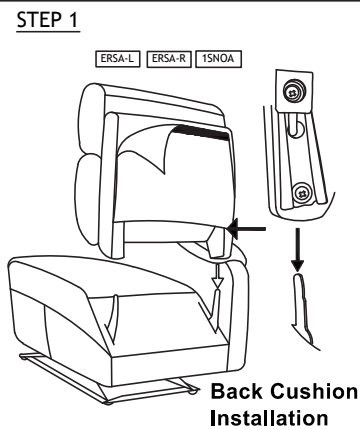
# ASSEMBLY INSTRUCTIONS

ITEM: **TEATRO SECTIONAL**

**GENERAL NOTE: CAREFULLY REMOVE ALL WRAPPING MATERIALS AND ENSURE ALL PARTS ARE ACCOUNTED FOR. ASSEMBLE ON A CLEAN FLAT SURFACE TO AVOID SCRATCHES. DO NOT DISCARD THE PACKAGING UNTIL ITEM IS FULLY ASSEMBLED.**



PART LIST		
NO	DESCRIPTION	QTY
1	Left Unit Arm Sofa	1 Pc
2	1 Side No Arm	2 Pcs
3	Corner	1 Pc
4	Right Unit Arm Sofa	1 Pc



**STEP 4**

