

### 安装示意图/Assembly Instruction

产品名称 Model NO.	PC812-A#	排骨架规格 Ranked bed slat specifications (1440*1960)
产品规格 Specification	1500*2000	
尺寸组合 Combined size	2230*1560*1130mm	

配件表/Accessories list	部件表/Parts List
----------------------	----------------

编号 NO.	名称 Name	图示 Icon	数量 QTY	编号 NO.	名称 Name	规格 Specification	数量 QTY	材质 material
A	说明书(含安装图) Mounting instruction (with drawing)		1	①	床头 The head of a bed	1560*210*1130	1	实木+夹板+海绵+皮革+真皮 Solid wood + plywood + sponge + leather + leather
B	M8*20斜边十字螺栓 M8*20 bevel cross bolt		44	②	床侧*2 Side of the bed*2	1985*80*190	2	实木+夹板+海绵+皮革+真皮 Solid wood + plywood + sponge + leather + leather
C	M8垫片 M8 pad		36	③	床尾 The end of the bed	1525*75*190	1	实木+夹板+海绵+皮革+真皮 Solid wood + plywood + sponge + leather + leather
D	角码3号 corner bracket No.3		4	④	实木条形排骨架 Solid wood bed slat	1440*1960	1	实木 Solid wood
E	角码1号 corner bracket No. 1		4					
F	(60*60*148mm)圆柱五金脚 (60*60*148mm)Cylindrical metal foot		2					
G	(75*36*150mm)圆柱五金脚 (75*36*150mm) Cylindrical metal foot		2					
H	M8*70斜边十字螺栓 M8*70 bevel cross bolt		2					
I	250MM排骨架实木中脚-01 (含M8*15螺母) 250MM solid wood midfoot for slat-01 (including M8*15 hammer head)		2					
J	(290*48*184mm)床垫防滑钩 (290*48*184*8mm) Mattress anti-skid hook		1					
K	(直径30*145-160mm)可调一字五金脚 diameter 30*145-160mm Adjustable metal foot		1					
L	M8*45全牙螺栓 threaded rod M8*45		1					
M	M8外六角螺母 M8 external hexagon nut		2					
N	床侧排骨架加固条002(1975) reinforcement bar for side slat (1975)		2					

制图 Draw	C20	Page NO. 页码 (3-1)
安装工具 Tool	安装人数 Installer	

实木条形排骨架配套配件 Solid wood strip frame supporting accessories	
M4*30自攻螺丝=17 M4*30 self tapping screw=17	

充电式手电钻 或者 十字螺丝刀 Cordless hand drill Phillips screwdriver		
--	--	--

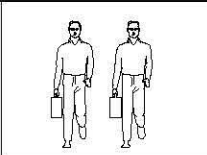


图1: 床头脚安装示意图  
Figure 1: Head and foot installation diagram

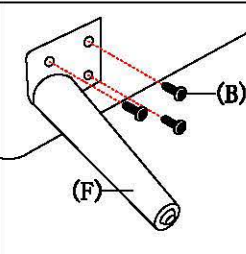


图2: 中脚安装示意图  
Figure 2: Central foot installation schematic diagram

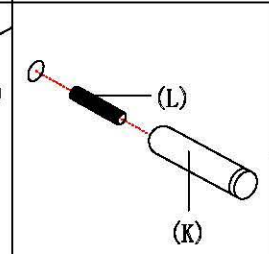
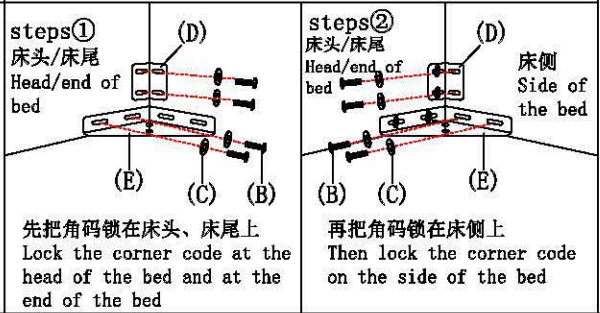


图3: 角码安装示意图  
Figure 3: Schematic diagram of corner code installation



### STEP 1:

图4: 床垫防滑钩安装示意图  
Figure 4: Installation diagram of mattress anti-skid hook

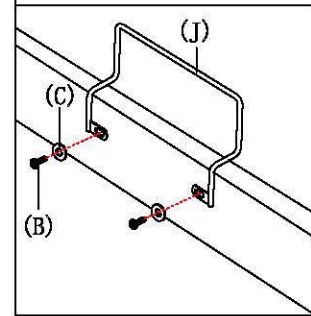
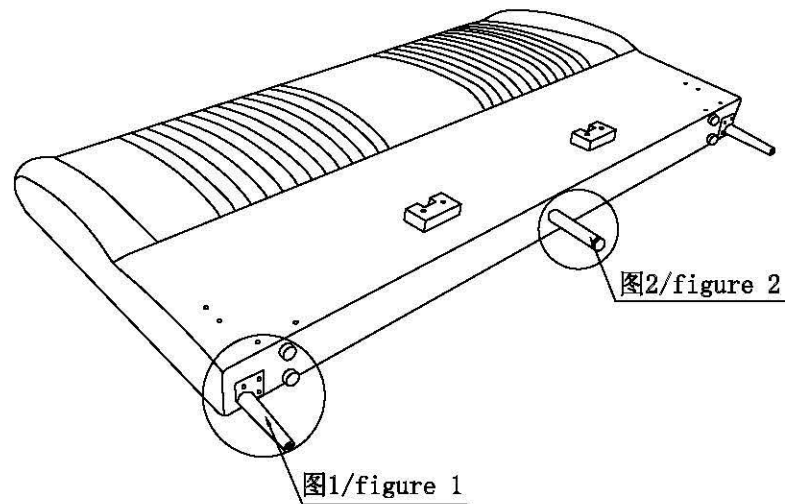
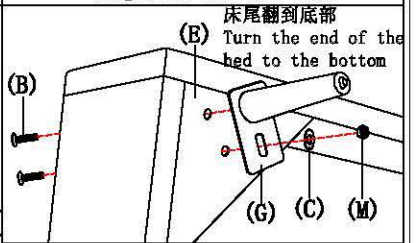
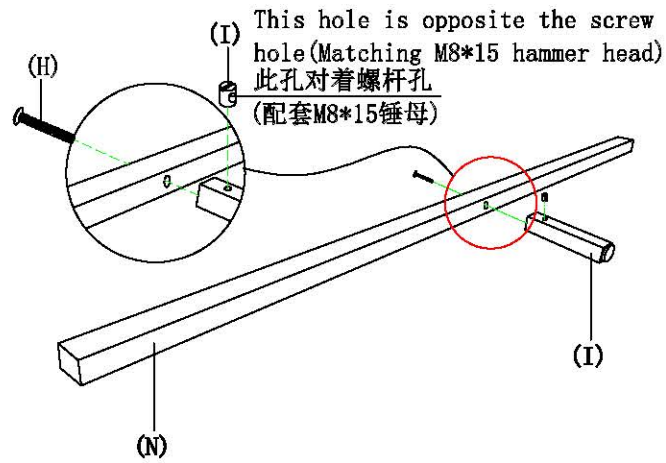


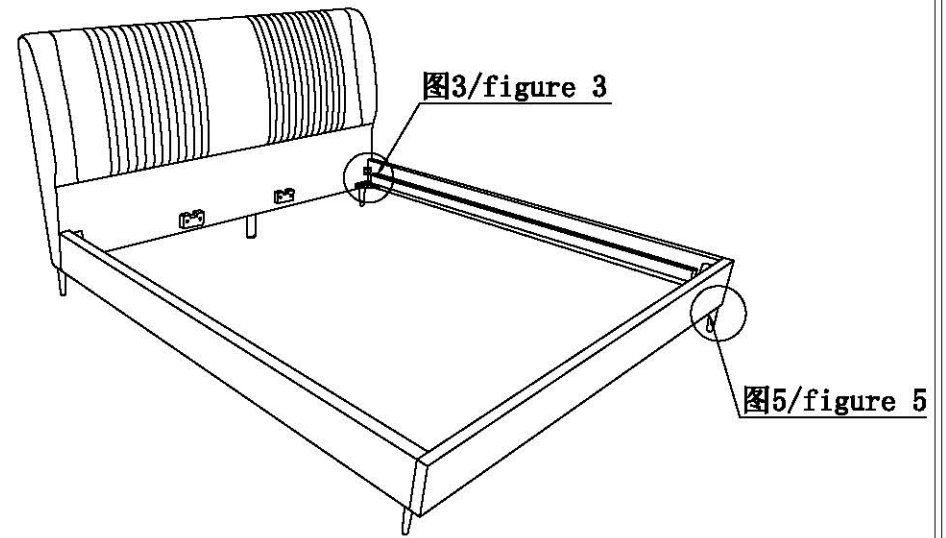
图5: 床尾脚安装示意图  
Figure 5: Installation diagram of bed tail foot



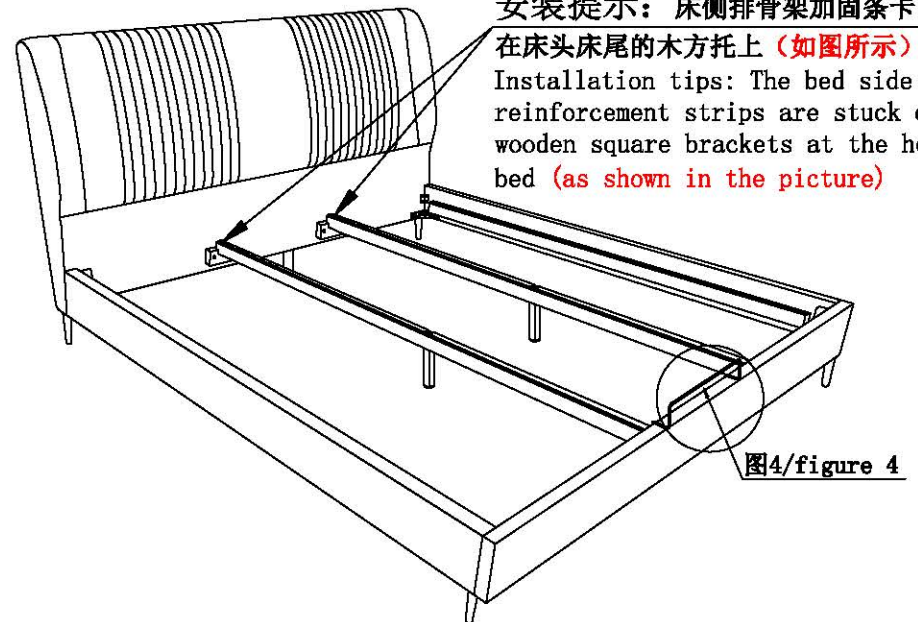
## STEP 2:



## STEP 3:



## STEP 4:

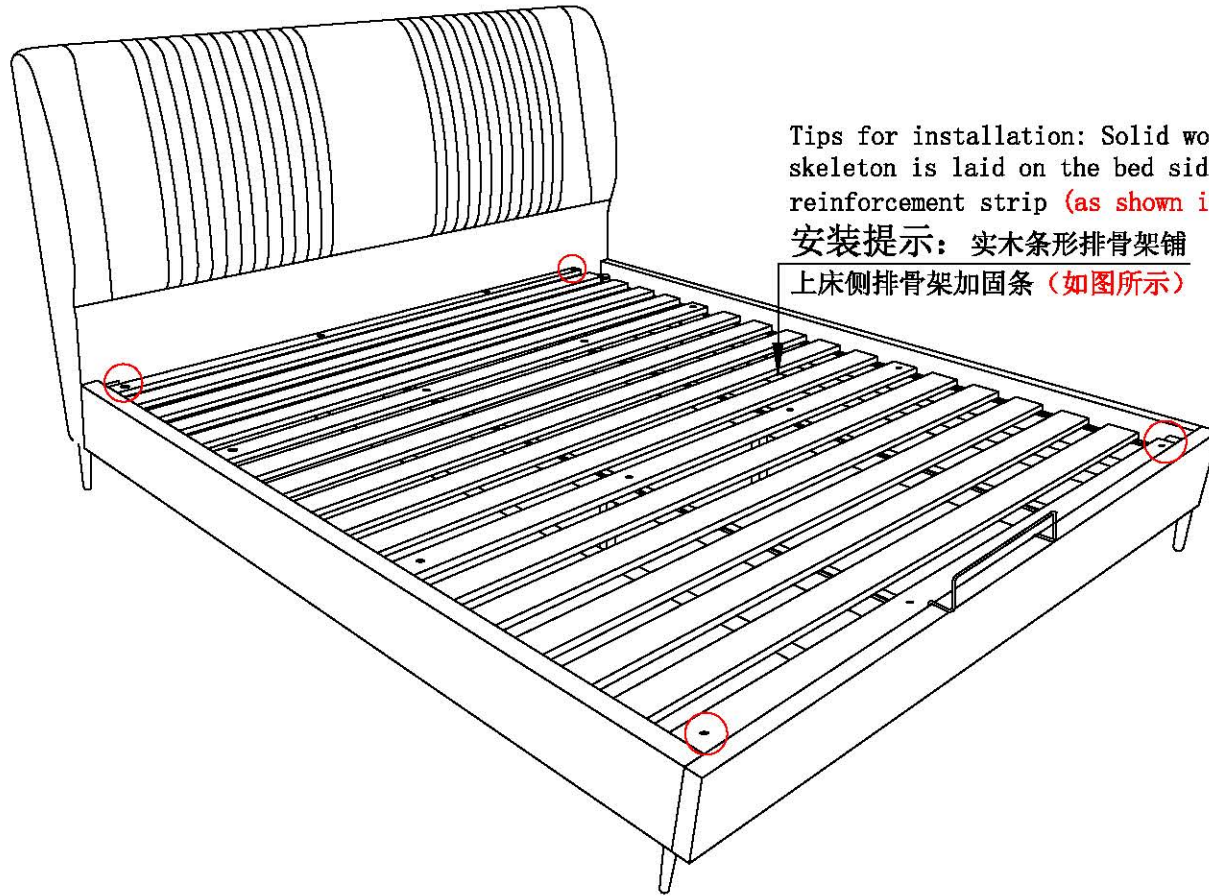


**安装提示：床侧排骨架加固条卡**

**在床头床尾的木方托上 (如图所示)**

Installation tips: The bed side skeleton reinforcement strips are stuck on the wooden square brackets at the head of the bed (as shown in the picture)

## STEP 5:



Tips for installation: Solid wood strip skeleton is laid on the bed side skeleton reinforcement strip (as shown in the figure)

安装提示：实木条形排骨架铺  
上床侧排骨架加固条（如图所示）

**注：**

- 1、用M4\*30自攻螺丝\*12按孔位固定实木条形排骨架。
- 2、实木条形排骨架四角无需用M4\*30自攻螺丝固定。
- 3、自攻螺丝固定实木条形排骨架步骤可选装可不装。

## Note:

1. Use M4\*30 self-tapping screws \*12 to fix the solid wood strip row frame according to the hole position.
- 2, solid wood strip row frame four corners without M4\*30 self tapping screws fixed.
- 3, self-tapping screws fixed solid wood strip row skeleton steps optional installation.