

五金表/Hardware list

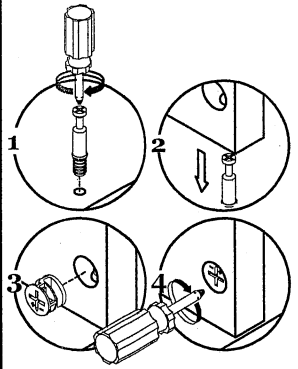
部件表/Parts List

安装示意图/Assembly Instruction		五金表/Hardware list				部件表/Parts List				
产品名称 Model NO.	DJ1V-C	(A)*21 大三合一锁饼 3-in-1 large lock	(B)*21 二合一螺杆 2-in-1-screw	(C)*4 过山丝-M7x38mm Conformat screw	(D)*13 小三合一锁饼 3-in-1 small lock	编号NO.	名称Name	规格 (mm) Specification	数量QTY	材质Material
产品规格 Specification	804*398*667mm	(E)*13 小二合一杆 2-in-1 small rod	(F)*13 木榫Ø8x30mm Wood tenon	(G)*13 塑料螺母 Plastic Nut	(H)*13 自攻螺丝M4*40mm Tapping screw	①	附柜面板 Attached counter board	804*398*18	1	三胺板 Melamine
安装工具 Tool	安装人数Installer	(I)*4 灰色毛毡垫 Foot pad	(J)*8 背板扣 White buckle	(K)*8 自攻螺丝M3.5*16mm Tapping screw	(L)*38 自攻螺丝M3.5*12mm Tapping screw	②	附柜底板 Attached bottom board	804*398*25	1	三胺板 Melamine
		(M)*4 层板托5mm shelf support	(N)*3 三节滚珠导轨12" Three-section rail	(O)*1 夹板条 Splint strip	(P)*1 胶盖-白色穿线孔盖 Threading cover	③	附柜左侧板 Sideboard of attached cabinet(L)	624*378*18	1	三胺板 Melamine
		④	附柜中侧板 Middle side board of attached cabinet	624*358*18	1	三胺板 Melamine				
		⑤	附柜右侧板 Sideboard of attached cabinet(R)	624*396*18	1	三胺板 Melamine				
		⑥	附柜层板 Shelf of attached cabinet	269*356*18	1	三胺板 Melamine				
		⑦	左背板 back board(L)	634*387*5	1	三胺板 Melamine				
		⑧	右背板 back board(R)	634*387*5	1	三胺板 Melamine				
		⑨	抽屉面板 Drawer's top panel	514*190*18	2	三胺板 Melamine				
		⑩	中抽屉面板 Drawer's middle board	514*190*18	1	三胺板 Melamine				
		⑪	抽屉左侧板 Drawer's side board(L)	340*110*12	3	三胺板 Melamine				
		⑫	抽屉右侧板 Drawer's side board(R)	340*110*12	3	三胺板 Melamine				
⑬	抽屉后板 Drawer's Back board	428*110*12	3	三胺板 Melamine						
⑭	抽屉底板 Drawer's Bottom board	438*336*5	3	三胺板 Melamine						
⑮	拉条 Brace	478*58*18	2	三胺板 Melamine						
⑯	下拉条 Bottom brace	478*58*18	2	三胺板 Melamine						
⑰										
⑱										
⑳										
㉑										
㉒										
㉓										
㉔										
㉕										

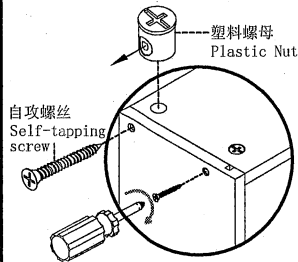
DJIV-C

安装方法

Installation method



二合一 two-in-one



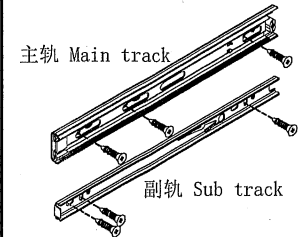
塑料螺母 Plastic Nut

自攻螺丝 Self-tapping screw

塑料螺母 Plastic Nut

阀门开关(下压为开)
Valve switch (press down to open)

前 Forward 后 Back

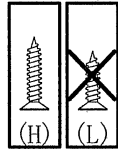
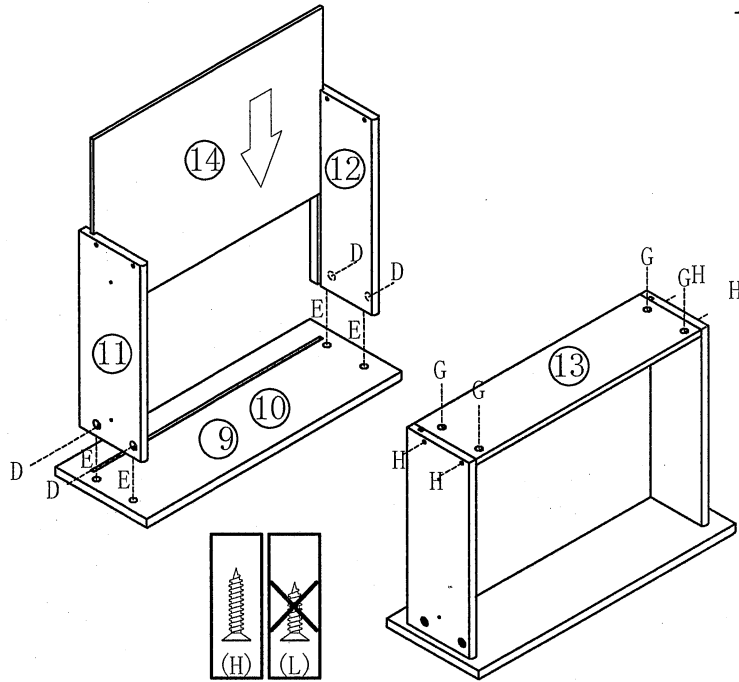


主轨 Main track

副轨 Sub track

三节滚珠导轨-12"
Three-section rail

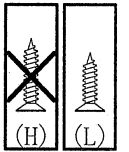
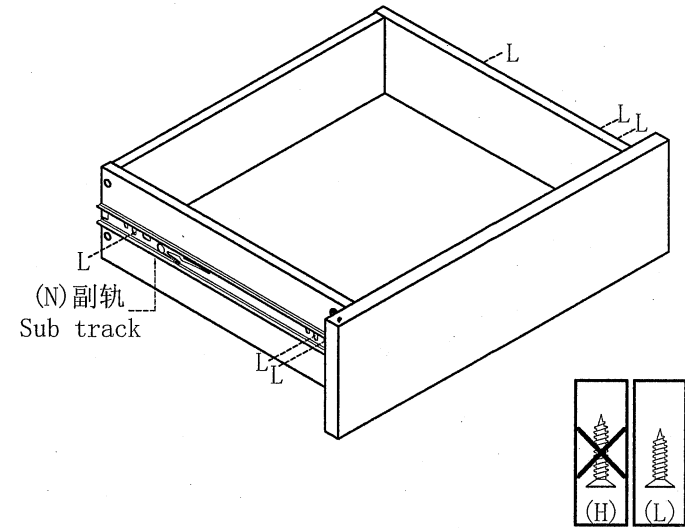
- (D)*12
- (E)*12
- (G)*12
- (H)*12



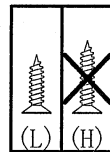
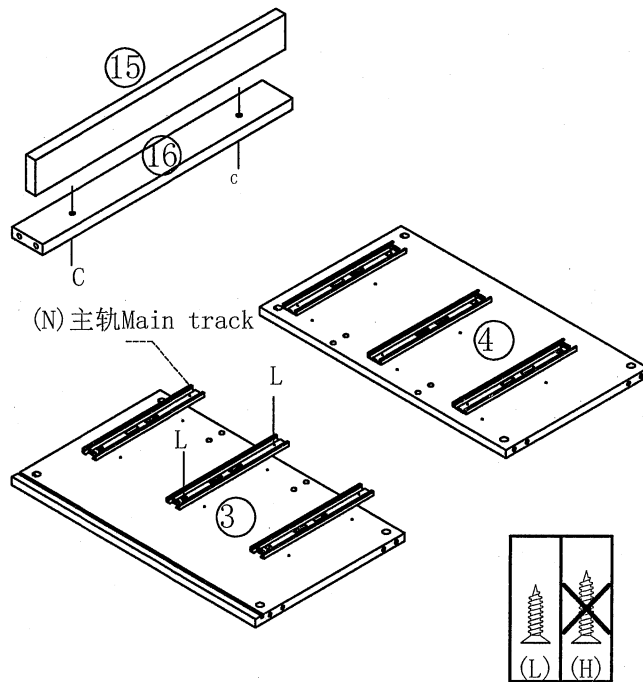
1

- (N)*3
- (L)*18

2

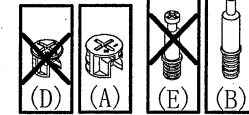
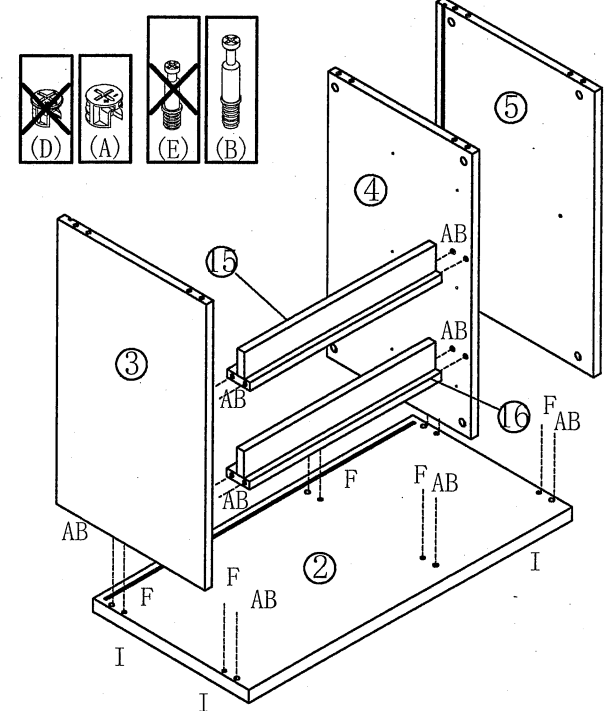


- (C)*4
- (N)*3
- (L)*18



3

- (A)*14
- (B)*14
- (F)*6
- (I)*4

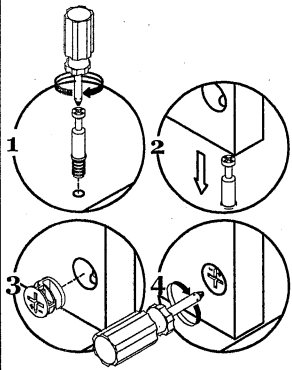


4

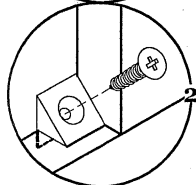
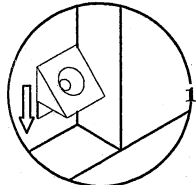
DJIV-C

安装方法

Installation method



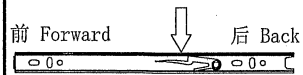
二合一 two-in-one



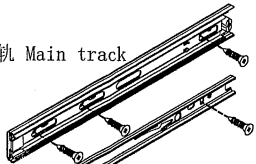
背板扣

Back Plate Buckle

阀门开关(下压为开)
Valve switch (press down to open)



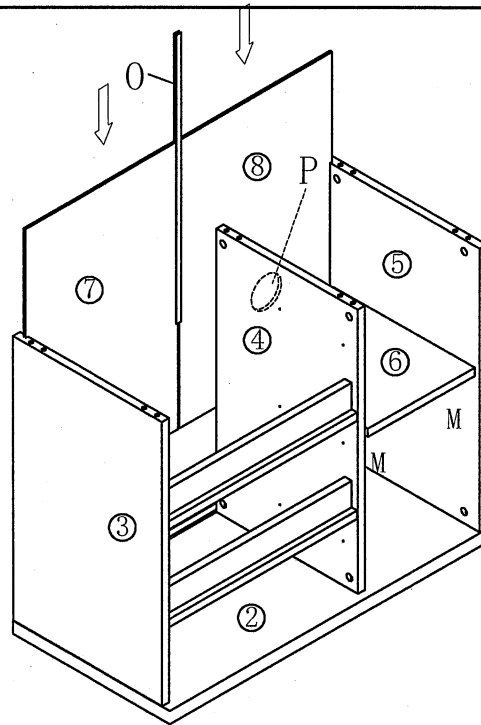
主轨 Main track



副轨 Sub track

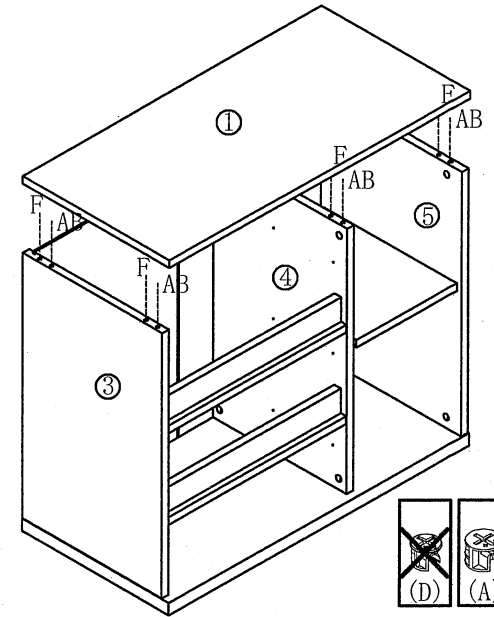
三节滚珠导轨-12"
Three-section rail

- (O)*1
- (O)*1
- (M)*4

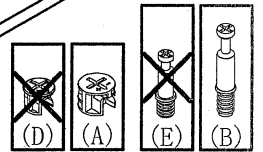


5

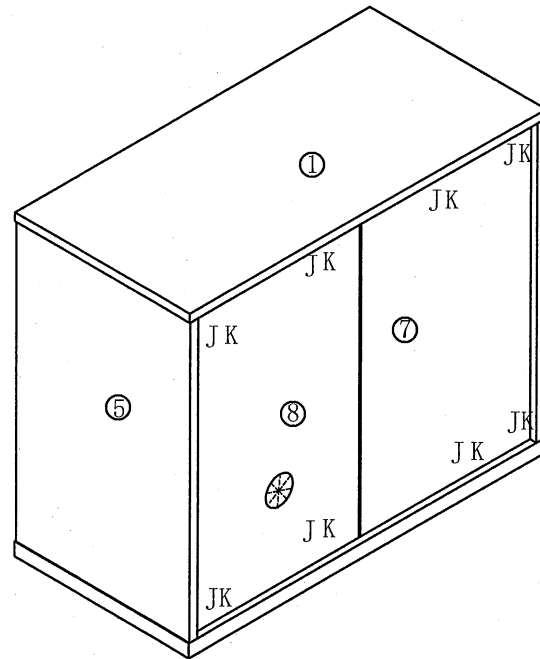
- (A)*6
- (B)*6
- (F)*6



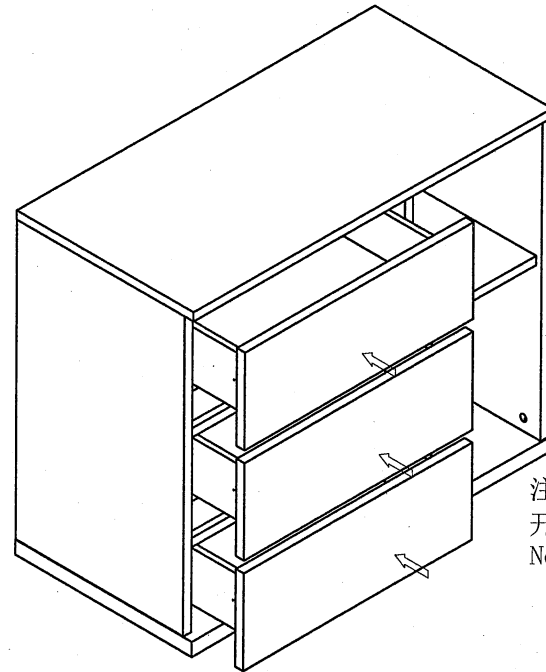
6



- (J)*8
- (K)*8



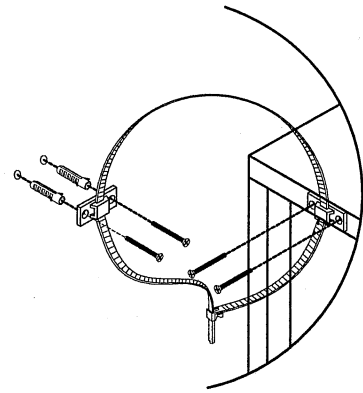
7



8

注：抽屉面板缝隙为设计开启抽屉使用，小心夹伤
 Note: the drawer panel gap is designed to open the drawer. Be careful of pinching

DJ1V-C



Q放大图
Enlarged drawing

实体墙
Solid wall

