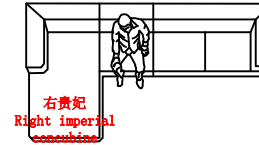
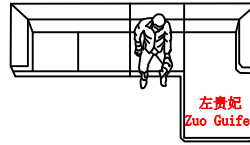




如何区分沙发的左右方向?How to distinguish the left and right directions of the sofa?

人坐在沙发, 贵妃在左边 (图示仅供分辨方向用) People are sitting on the sofa, and the imperial concubine is on the left (the illustration is only for distinguishing directions)



人坐在沙发, 贵妃在右边 (图示仅供分辨方向用) People are sitting on the sofa, and the imperial concubine is on the right (the illustration is only for distinguishing directions)

安装示意图/Assembly Instruction

Figure 1:

Figure 2:

产品名称 Model NO.	TBS058		
产品规格 Specification	三位Three		
尺寸组合 Combined size	220*133*(46*51)CM		
成品部件尺寸Dimensions of finished parts			
编号 number	名称 name	部件尺寸 Component size	数量 quantity
1	三位Three	220*133*(46*51)CM	1
2			
制图drafting		张桂林	

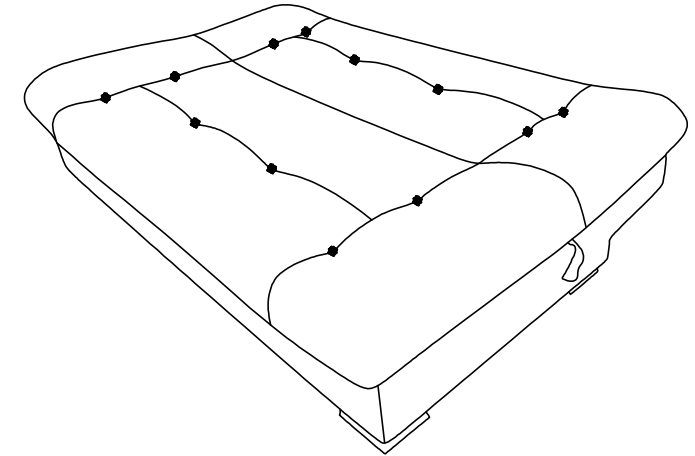
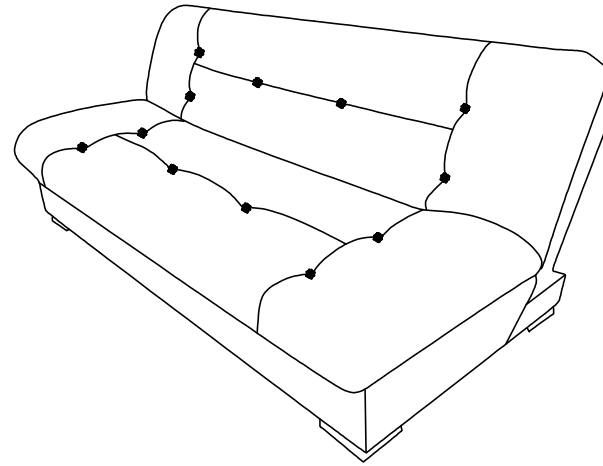
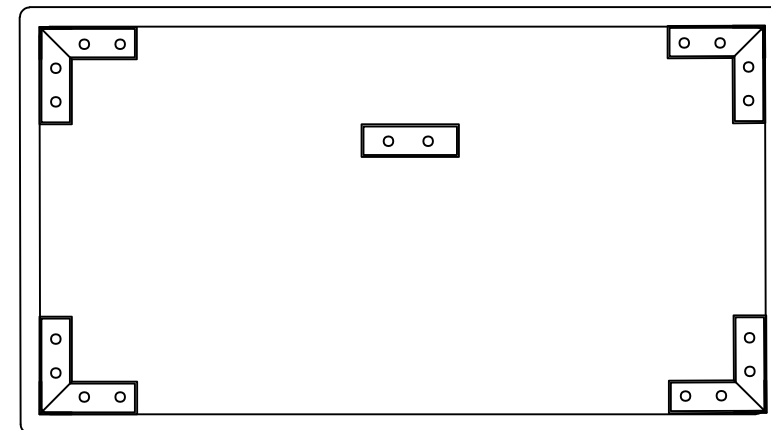
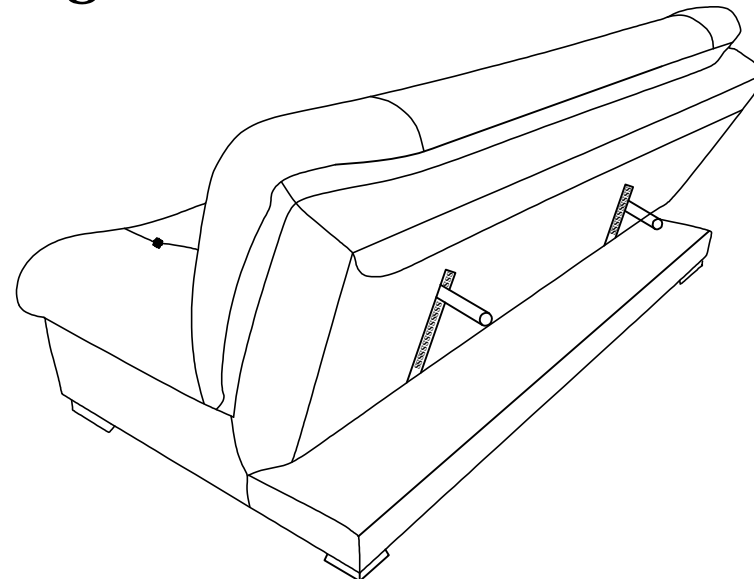


Figure 3:

Figure 4:

配件表 Accessories list			
编号 number	名称 name	图示 Illustration	数量 quantity
A	五分七字木脚Five seven character wooden feet		4
B	五分一字木脚Five point one word wooden foot		1
C	M5*70自攻螺丝M5*70 self tapping screw		18
D			
E			



安装工具Tool	安装人数Installer
充电式手电钻 或者 十字螺丝刀 Cordless hand drill Phillips screwdriver	

