

安装示意图/Assembly Instruction

产品名称 Model NO. 1012#(D)

产品规格 Specification 三人 3seat

尺寸组合 Combined size 2260*860*800mm

成品部件明细 Finished Parts Details	编号 NO.	名称 Name	规格 Specification	数量 QTY	材质 Material
	1	三人 3seat	2260*860*800mm	1	实木·夹板·海绵·布料 Solid wood + Plywood + Sponge + Fabric
	2				

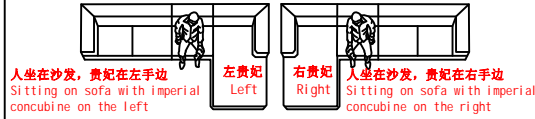
制图 Draw C20

配件表 Accessories list

编号 NO.	名称 Name	图示 Icon	数量 QTY	三人 3seat
A	说明书(含安装图) Mounting Instruction (with drawing)		1	1
B	(160*78*50mm) 橡胶木原木色沙发脚 (160*78*50mm) rubber wood wooden foot		4	4
C	脚-(直径30*106mm)通用铁中脚 diameter 30*106mm Iron mid-foot		1	1
D	M8*20斜边内六角螺栓 M8*20 bevel hexagon bolt		16	16
E	M10外六角螺母 M10 external hexagon nut		4	4
F	M4*25自攻螺丝 M4*25 self tapping screw		4	4
G	5厘七字内六角扳手 5mm internal hexagonal wrench		1	1
H	(80*80*2mm)沙发脚椭圆孔连接铁片 (80*80*2mm) Sofa foot elliptical hole connecting iron sheet		4	4
J	白色魔术布条 White magic strips		1	1
K	双头螺杆-(M8*45mm) Double screw M8*45mm		1	1

如何区分沙发的左右方向?
How to zone the left and right direction of the sofa?

(图示仅供分辨方向用/Picture are for orientation only)



安装人数
Installer



充电式手电钻Cordless hand drill

或者Or



十字螺丝刀Phillips screwdriver

客户安装前须知:

Customers need to know before installation:
此安装图为“三人”的位置关系。
This installation picture is "3seat"

2-1

三人 3seat

STEP 1:

图1: 拉开拉链, 取出配件箱
Figure 1: Unzip the accessory case

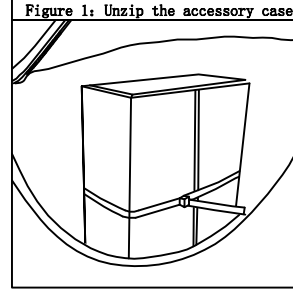


图2: 中脚安装示意图
Figure 2: Central foot installation schematic diagram

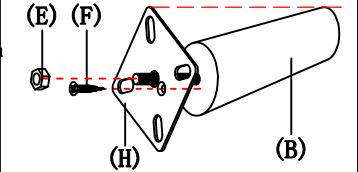
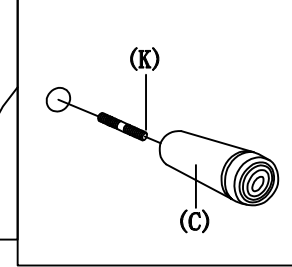


图3步骤①: 木脚弧度顶端对准连接铁片的角, 用自攻螺丝-M4*25和外六角螺母-M10固定好连接铁片

Figure 3 Step ①: Align the top of the arc of the wooden foot with the Angle of the connecting iron sheet, and fix the connecting iron sheet with self-tapping screw -M4*25 and hexagon nut -M10

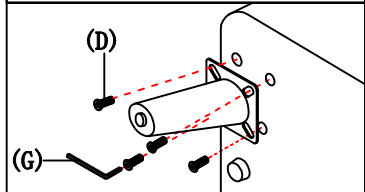
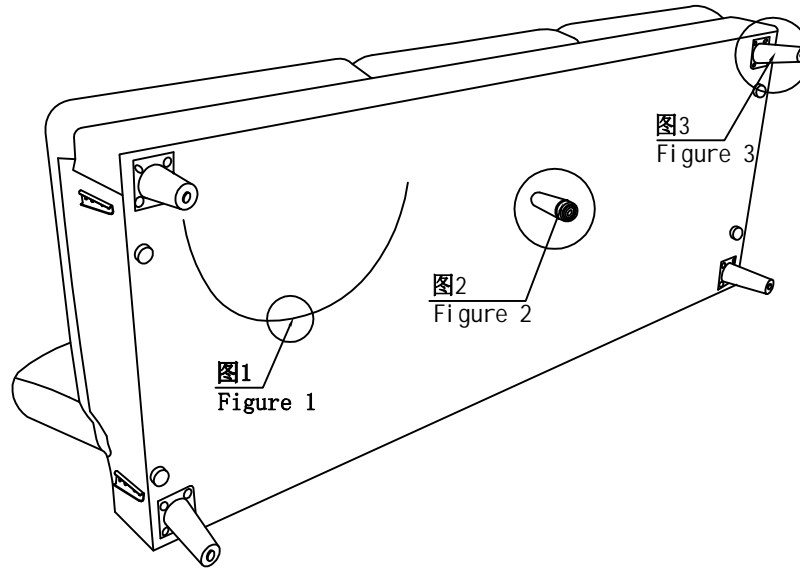


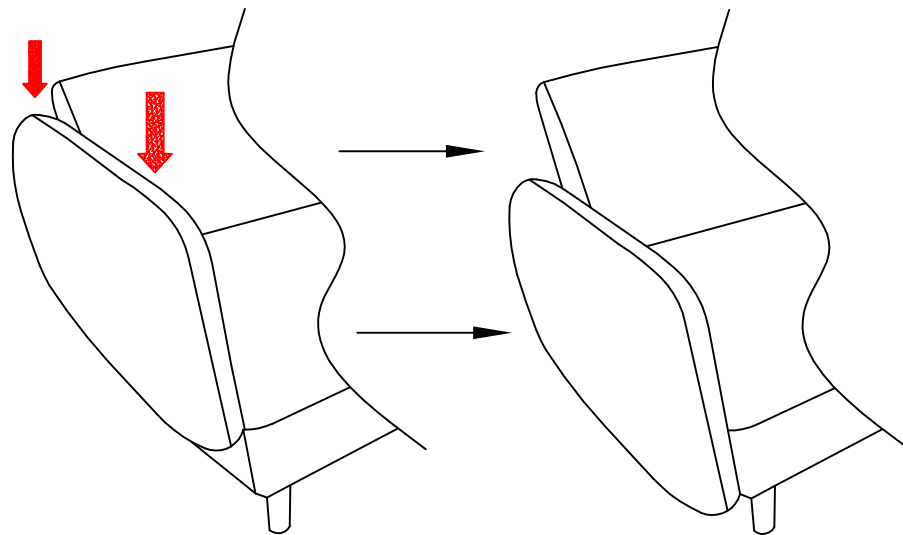
图3步骤②: 边脚安装示意图

Figure 3 Step ②: Schematic diagram of side foot installation



STEP 2:

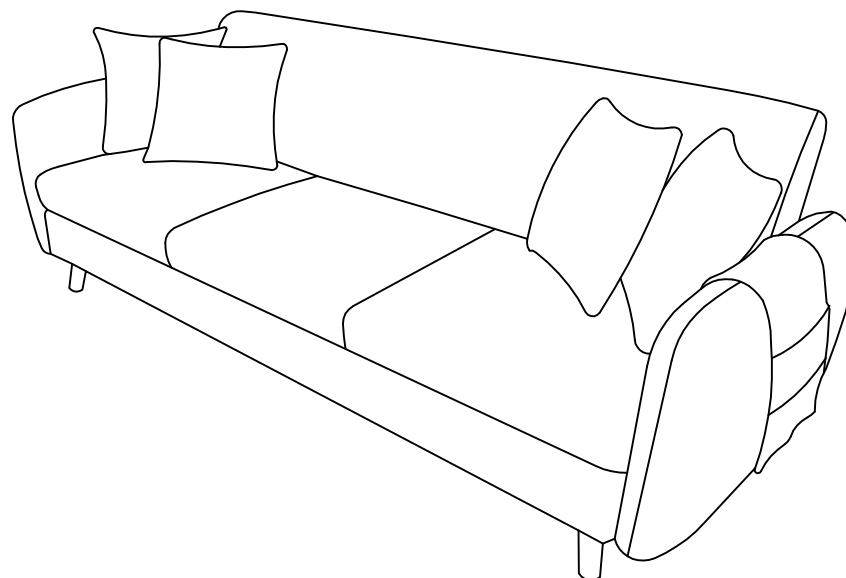
2-2



注：按箭头扶手从上往下按插扣位置固定于座架侧面
Note: Press the arrow handrail from the top down to fix the latch position on the side of the seat frame

组合图 Combination

三人 3seat



安装示意图/Assembly Instruction

产品名称 Model NO. B18#(D)

产品规格 Specification 脚踏 Pedal

尺寸组合 Combined size 640*640*430mm

成品部件明细	编号 NO.	名称 Name	规格 Specification	数量 QTY	材质 Material
Finished Parts Details	1	脚踏 Pedal	640*640*430mm	1	实木·夹板·海绵·布料 Solid wood + Plywood + Sponge + Fabric
	2				

制图 Draw C20

配件表 Accessories list

编号 NO.	名称 Name	图示 Icon	数量 QTY	脚踏 Pedal
A	说明书(含安装图) Mounting Instruction (with drawing)		1	1
B	(160*78*50mm) 橡胶木原木色沙发脚 (160*78*50mm) rubber wood wooden foot		4	4
C	M8*20斜边内六角螺栓 M8*20 bevel hexagon bolt		16	16
D	M10外六角螺母 M10 external hexagon nut		4	4
E	M4*25自攻螺丝 M4*25 self tapping screw		4	4
F	5厘七字内六角扳手 5mm internal hexagonal wrench		1	1
G	(80*80*2mm) 沙发脚椭圆孔连接铁片 (80*80*2mm) Sofa foot elliptical hole connecting iron sheet		4	4
I				
J				
K				

如何区分沙发的左右方向?
How to zone the left and right direction of the sofa?

(图示仅供分辨方向用/Picture are for orientation only)

人坐在沙发, 贵妃在左边
Sitting on sofa with imperial concubine on the left

左贵妃 Left

右贵妃 Right

人坐在沙发, 贵妃在右边
Sitting on sofa with imperial concubine on the right

安装人数 Installer

充电式手电钻 Cordless hand drill

或者 Or

十字螺丝刀 Phillips screwdriver

客户安装前须知:
Customers need to know before installation:
此安装图为“脚踏”的位置关系。
This installation picture is "Pedal"

1-1

脚踏 Pedal

STEP 1:

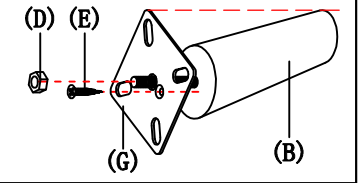
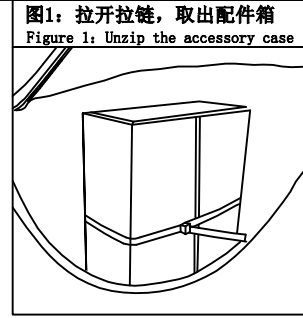
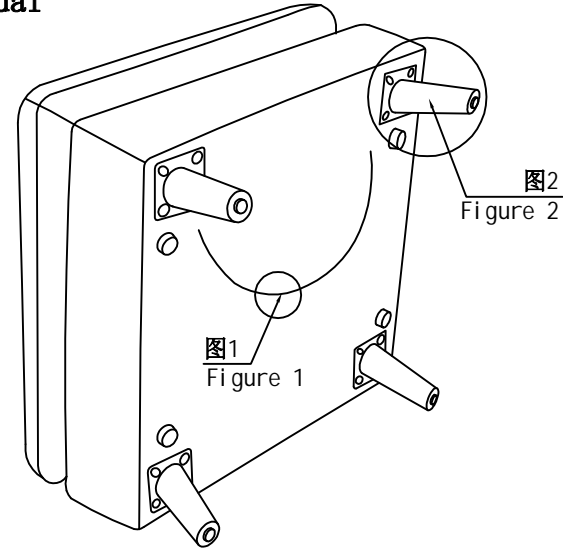


图2步骤①: 木脚弧度顶端对准连接铁片的角, 用自攻螺丝-M4*25和外六角螺母-M10固定好连接铁片
Figure 2 Step ①: Align the top of the arc of the wooden foot with the Angle of the connecting iron sheet, and fix the connecting iron sheet with self-tapping screw -M4*25 and hexagon nut -M10

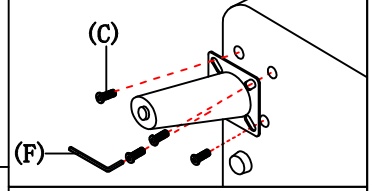


图2步骤②: 边脚安装示意图
Figure 2 Step ②: Schematic diagram of side foot installation

组合图 Combination

脚踏 Pedal

