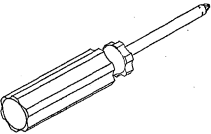
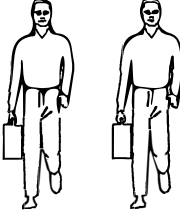
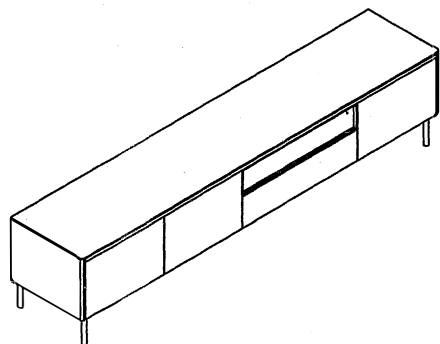



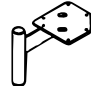
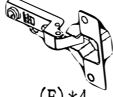



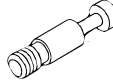


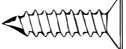
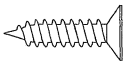
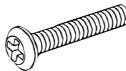
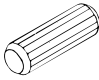



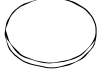
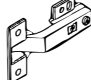


安装示意图/Assembly Instruction

产品名称 Model NO.	YK1M-A
产品规格 Specification	1991*398*448MM
安装工具 Tool	安装人数 Installer
	



五金表/Hardware list

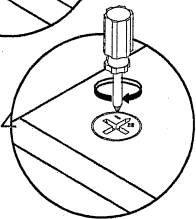
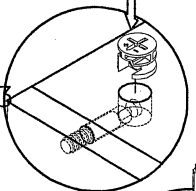
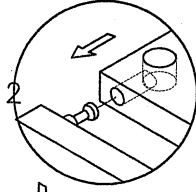
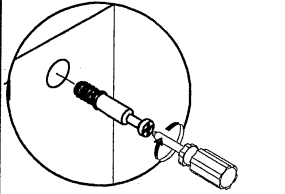
 (A)*8 背板扣 White buckle	 (B)*4 斜边十字螺杆M6*25 Bevel cross screw	 (C)*4 小角码 Small bracket	 (D)*4 铁脚-139*153*150黑色 Iron feet
 (E)*4 缓冲门铰大弯-杯径Ø35 Great bend hinge	 (F)*17 二合一螺杆 2-in-1 screw	 (G)*17 大三合一锁饼 3-in-1 large lock	 (H)*4 小三合一锁饼 3-in-1 small lock
 (I)*4 小二合一杆 2-in-1 small rod	 (J)*13 塑料螺母 Plastic Nut	 (K)*13 自攻螺丝-(M4*40mm) Self-tapping screw	 (L)*13 自攻螺丝M3.5*12 Tapping screw
 (M)*34 自攻螺丝M3.5*16 Tapping screw	 (N)*1 斜边十字螺杆M8*35 Bevel cross screw	 (O)*17 木榫-(Ø8*30mm) Wood tenon	 (P)*1 中脚-直径30*145-160 Adjustable middle foot
 (Q)*1 拔盖-白色穿线孔盖 Threading cover	 (R)*1 导轨12寸 Three-section rail	 (S)*8 圆形玻璃防滑垫 Non-slip plastic pad	 (T)*2 缓冲门铰直弯-杯径Ø35 Straight bend hinge

部件表/Parts List

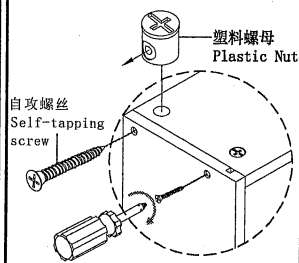
编号NO.	名称Name	规格 (MM) Specification	数量QTY	材质Material
1	面板Top panel	1951*396*18	1	三胺板 Melamine
2	底板Bottom board	1951*377*18	1	三胺板 Melamine
3	左侧板Side board(L)	396*296*18	1	三胺板 Melamine
4	右侧板Side board(R)	396*296*18	1	三胺板 Melamine
5	左中侧板 Middle side board(L)	356*256*18	1	三胺板 Melamine
6	右中侧板 Middle side board(R)	356*256*18	1	三胺板 Melamine
7	附柜侧板Sideboard of attached cabinet	374*100*12	2	三胺板 Melamine
8	面底板Bottom board	637*374*12	2	三胺板 Melamine
9	抽屉面板 Drawer's top panel	638*149*18	1	三胺板 Melamine
10	抽屉左侧板 Drawer's side board(L)	340*78*12	1	三胺板 Melamine
11	抽屉右侧板 Drawer's side board(R)	340*78*12	1	三胺板 Melamine
12	抽屉后板 Drawer's Back board	588*78*12	1	三胺板 Melamine
13	抽屉底板 Drawer's Bottom board	598*336*5	1	三胺板 Melamine
14	门板Door board	434*276*18	3	三胺板 Melamine
15	背板Back board	1961*266*5	1	三胺板 Melamine
16	岩板面板Top panel	1991*398*6	1	岩板 Sintered Stone

YK1M-A

安装方法/
Installation method



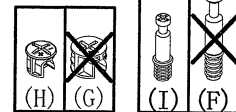
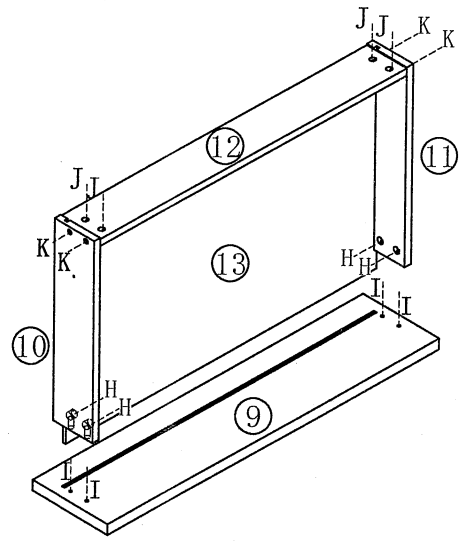
二合一
two-in-one



塑料螺母
Plastic Nut

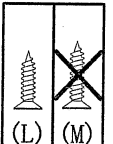
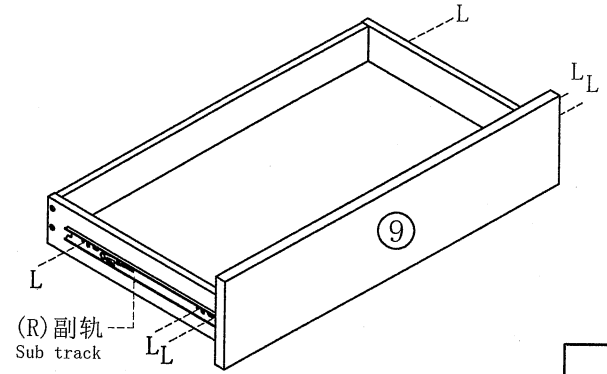
- (H)*4
- (I)*4
- (K)*4
- (J)*4

- (R)*1
- (L)*6

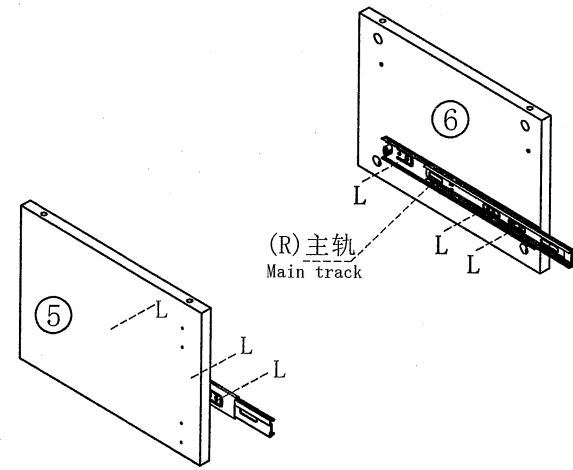


1

- (R)*1
- (L)*6

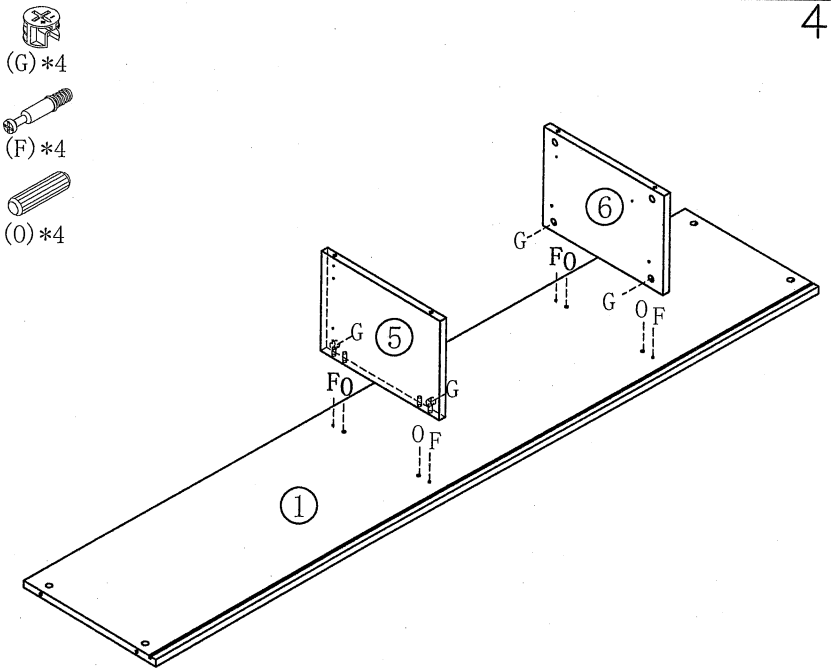


2



3

- (G)*4
- (F)*4
- (O)*4



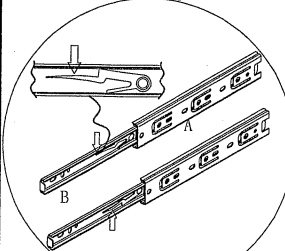
4

YK1M-A

安装方法/

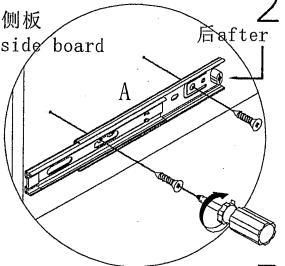
Installation method

1
阀门开关(下压为开)
Valve switch
(press down to open)

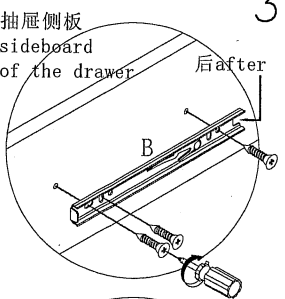


注: 先将A与B拆下来
Note: remove a and B first

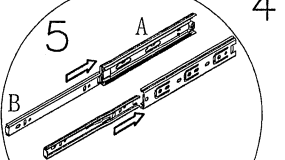
2
侧板
side board



3
抽屉侧板
sideboard
of the drawer



4
5
注: 将B对准A后推进去
Note: align B with a
and push it in



三节滚珠导轨
three-section ball rail

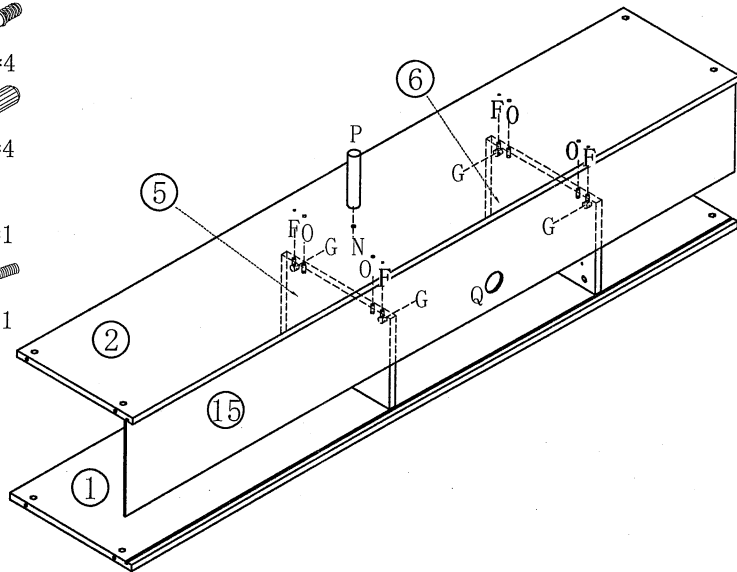
(G)*4 (Q)*1

(F)*4

(O)*4

(P)*1

(N)*1

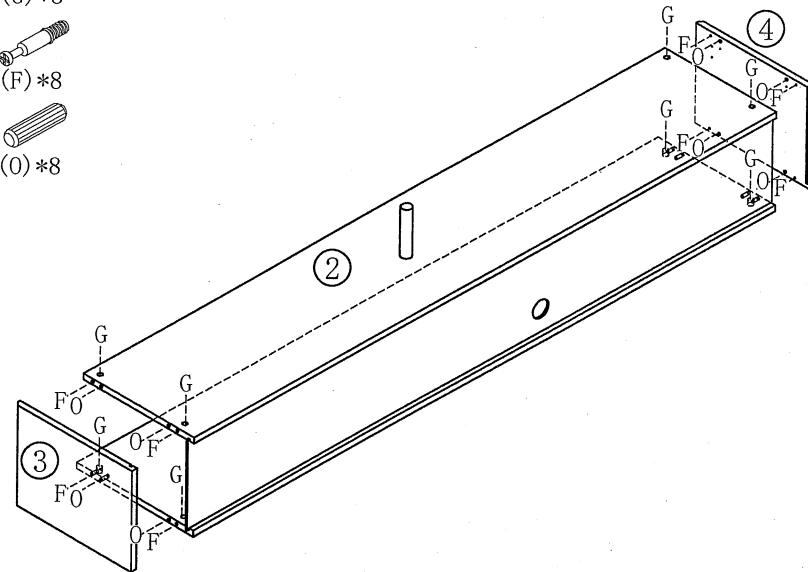


5

(G)*8

(F)*8

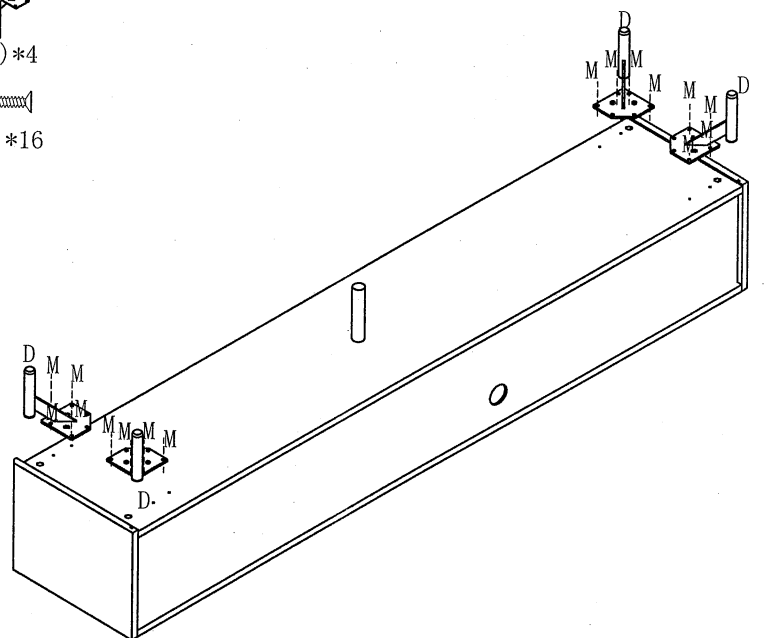
(O)*8



6

(D)*4

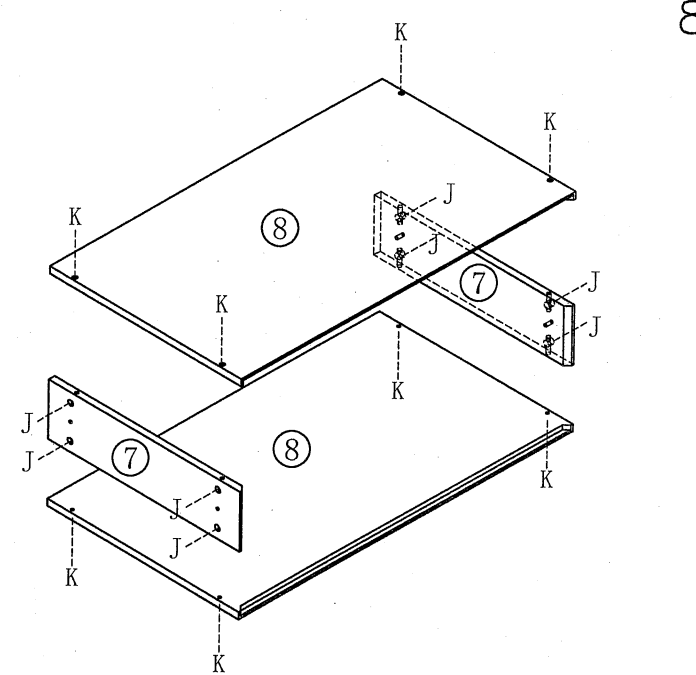
(M)*16



7

(K)*8

(J)*8



8

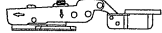
YK1M-A

安装方法/
Installation method

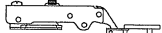
大弯big bend



中弯middle bending

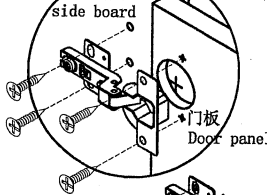


直弯straight bending



侧板

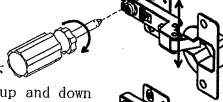
side board



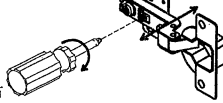
门板

Door panel

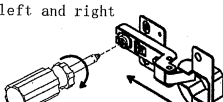
调节上下
Adjust up and down



调节左右
Adjust left and right

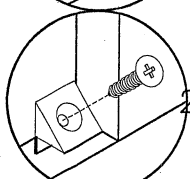
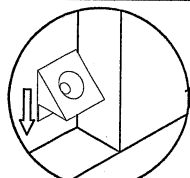


调节前后
Before and after adjustment



门铰

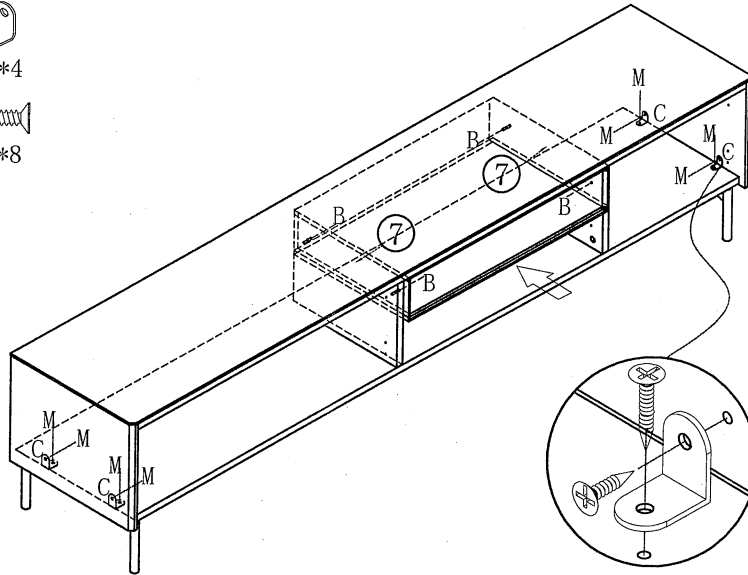
Hinge



背板扣

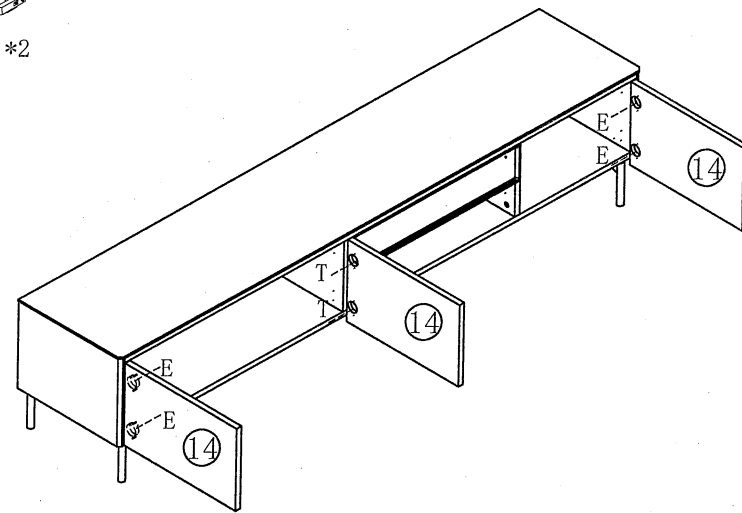
Back Plate Buckle-White

- (B)*4
- (C)*4
- (M)*8



9

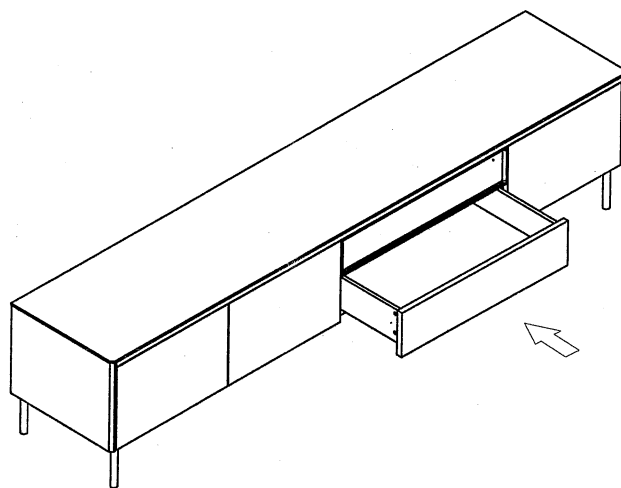
- (E)*4
- (T)*2



10

11

- (A)*8
- (M)*8
- (S)*8



12

