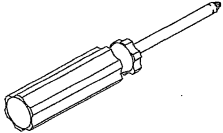
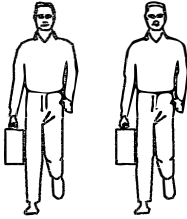
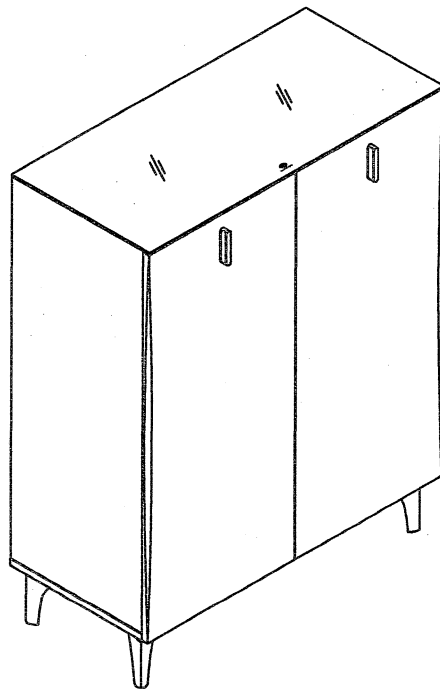



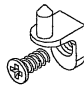
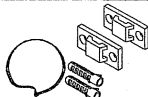

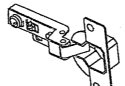
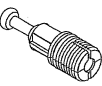

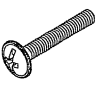

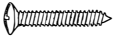
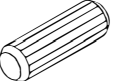



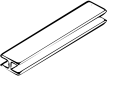
五金表/Hardware list

部件表/Parts List

安装示意图/Assembly Instruction

产品名称 Model NO.	JQ1N-A
产品规格 Specification	780*381*1034mm
安装工具 Tool	安装人数 Installer
	

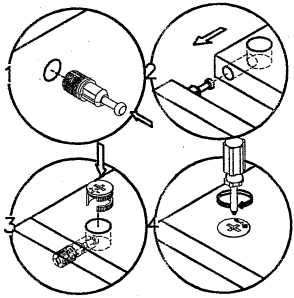


 (A)* 11 背板扣 Back Plate Buckle-White	 (B)* 20 层板托5mm shelf support	 (C)* 1 家具防倒器-白色 Anti-fall device white	 (D)* 2 透气孔盖-白色 Vent cover - white
 (E)* 4 杯径35直弯缓冲门铰 Straight bending hinge	 (F)* 9 二合一螺杆 2-in-1-screw	 (G)* 8 大三合一锁饼(15mm) 3-in-1 large lock	 (H)* 4 拉手螺丝-M4x18mm Pulling screw
 (I)* 11 自攻螺丝M3.5x16mm Self-tapping screw	 (J)* 17 自攻大扁M4*16mm Self tapping flat screw	 (K)* 4 木榫Ø8x30mm Wood tenon	 (L)* 6 透明圆形防滑垫 Nonslip plastic pad
 (M)* 2 铝合金黑色哑光拉手 Black matte handle	 (N)* 4 五金脚118*50*130mm Hardware foot	 (O)* 1 棕色夹板条L=869mm Brown plywood strip	

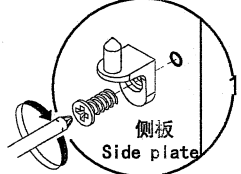
编号NO.	名称Name	规格 (mm) Specification	数量QTY	材质Material
①	面板Top panel	746*349*15	1	三胺板 Melamine
②	左侧板Side board(L)	884*349*15	1	三胺板 Melamine
③	右侧板Side board(R)	884*349*15	1	三胺板 Melamine
④	底板Bottom board	780*349*15	1	三胺板 Melamine
⑤	背板Back board	879*377*5	2	三胺板 Melamine
⑥	活动层板Movable shelf	745*328*15	4	三胺板 Melamine
⑦	左门板Door board(L)	897*389*15	1	三胺板 Melamine
⑧	右门板Door board(R)	897*389*15	1	三胺板 Melamine
⑨	玻璃面板Glass panel	780*366*5	1	玻璃 Glass

JQ1N-A

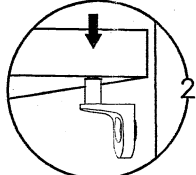
安装方法/  
Installation method



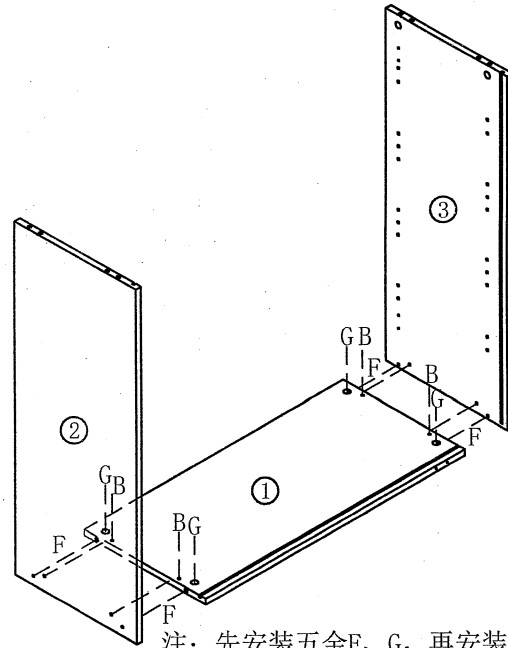
二合一/2-in-1



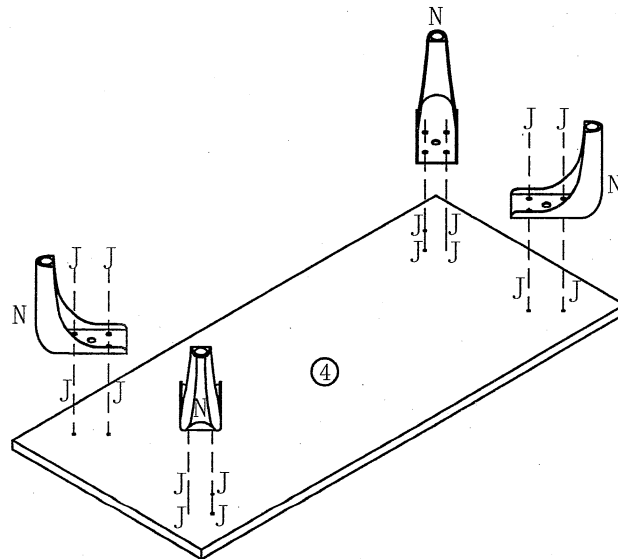
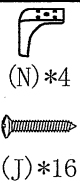
侧板  
Side plate



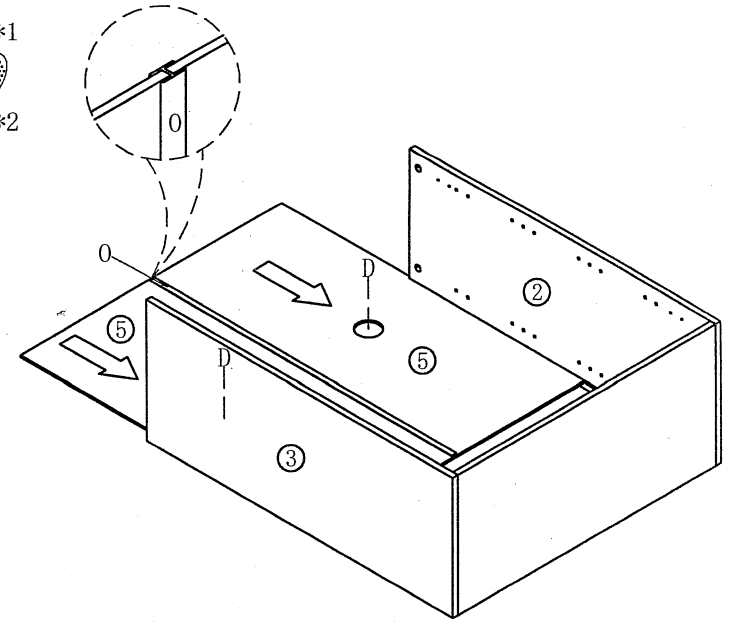
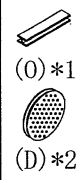
层板托5mm  
shelf support



注：先安装五金F、G，再安装五金B。  
Note: Install F/G first, then install B.

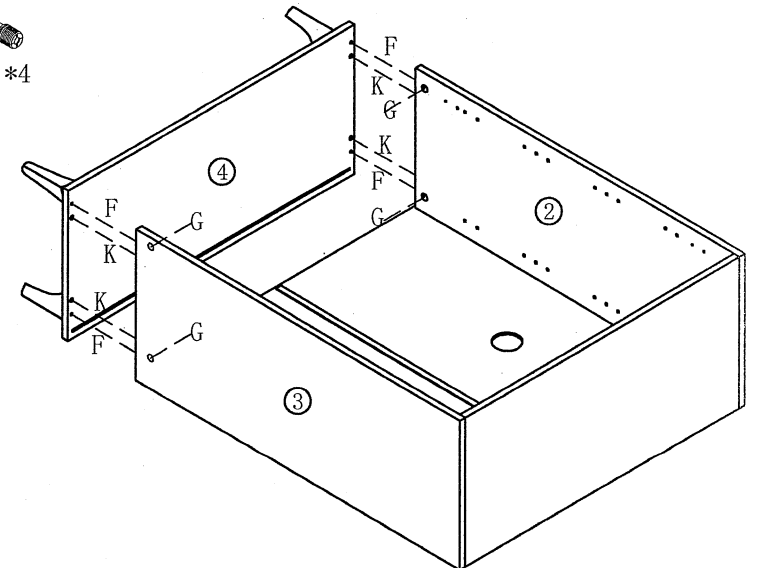
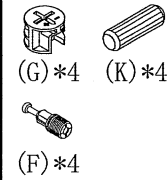


1



2

3

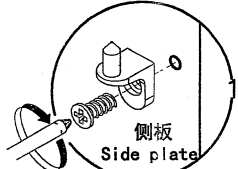


4

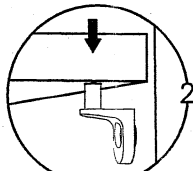
JQ1N-A

安装方法

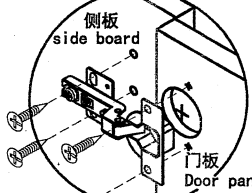
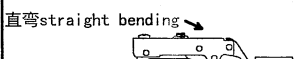
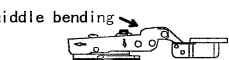
Installation method



侧板  
Side plate

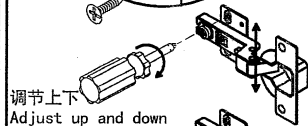


层板托5mm  
shelf support

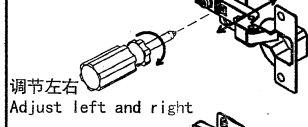


侧板  
side board

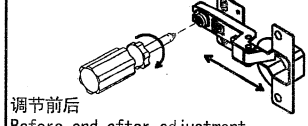
门板  
Door panel



调节上下  
Adjust up and down



调节左右  
Adjust left and right

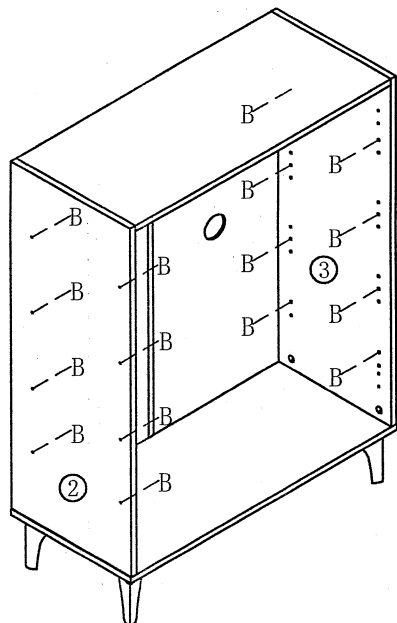


调节前后  
Before and after adjustment

门铰 Hinge

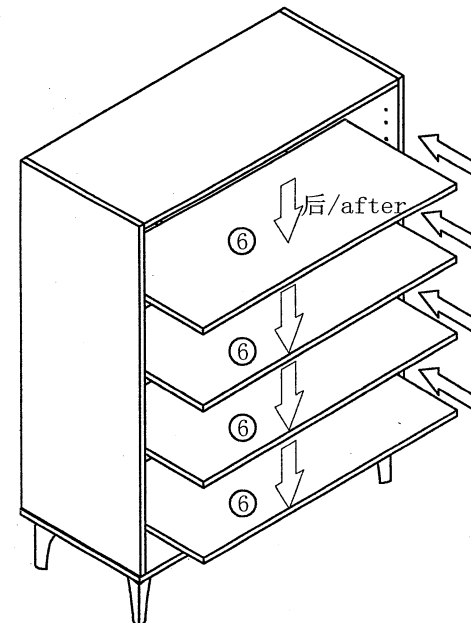


(B)\*16



注：层板可调节高度，  
调节距离为32、64、96mm  
Note: The height of the  
laminata can be adjusted  
to 32, 64 and 96 mm

5



先/first

后/after

6



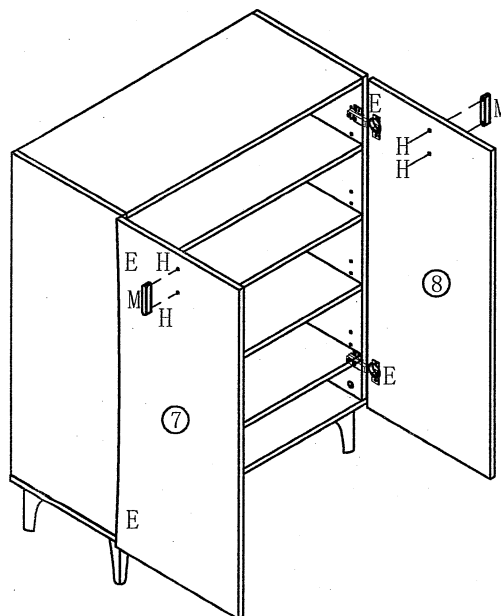
(E)\*4



(M)\*2



(H)\*4



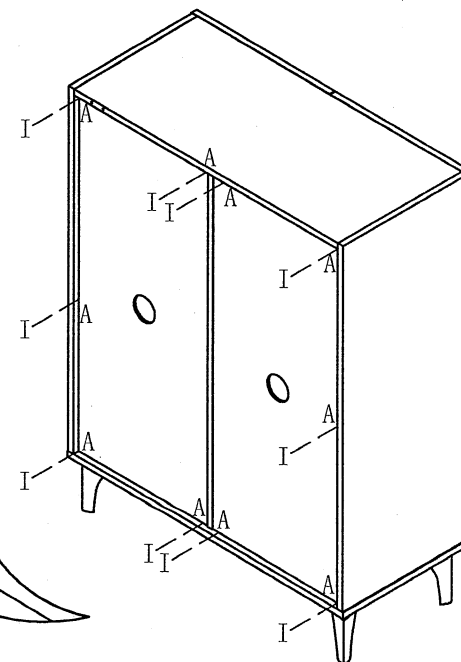
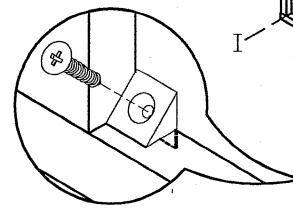
7



(A)\*10



(I)\*10



8

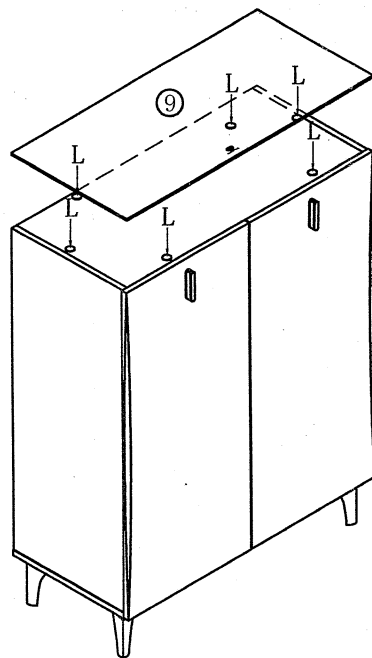
JQIN-A

安装方法

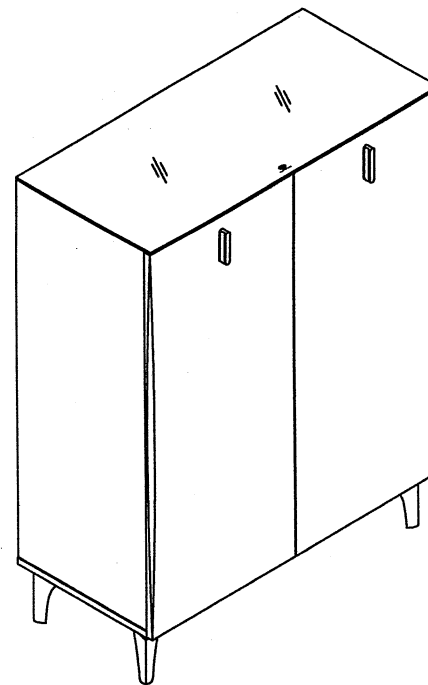
Installation method



(L)\*6



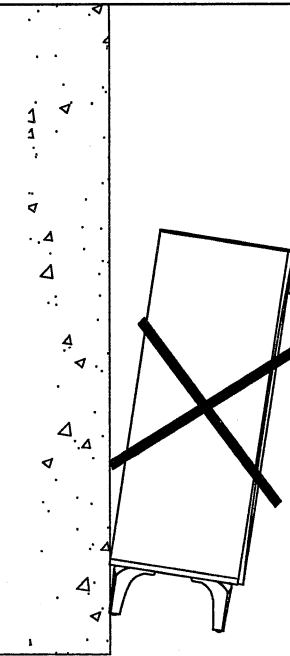
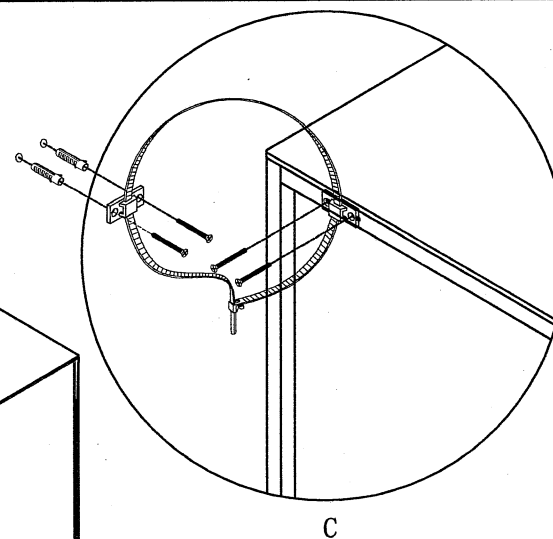
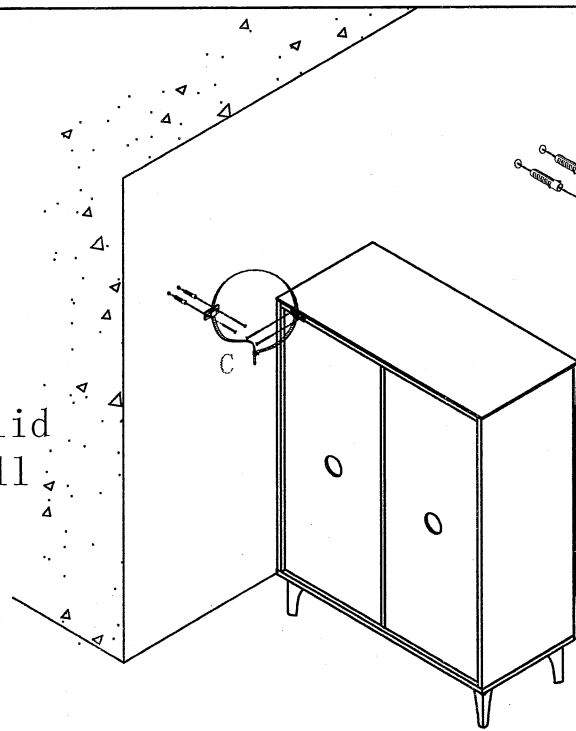
9



10



实体墙  
Solid wall

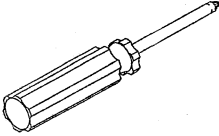
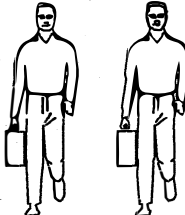


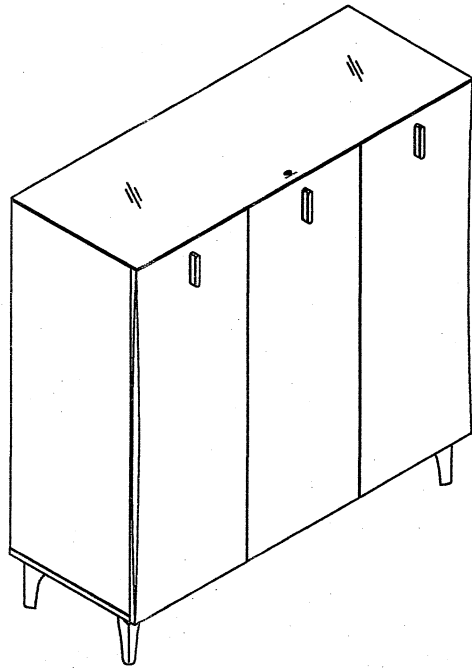
11


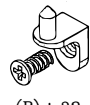

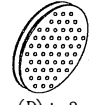
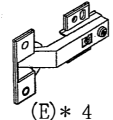
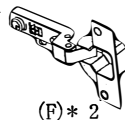
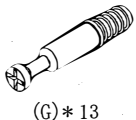

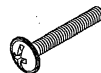
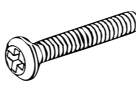
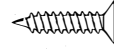

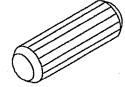



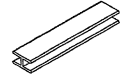
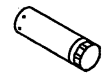
五金表/Hardware list

部件表/Parts List

安装示意图/Assembly Instruction

产品名称 Model NO.	JQ2N-A
产品规格 Specification	980*381*1034mm
安装工具 Tool	安装人数 Installer
	

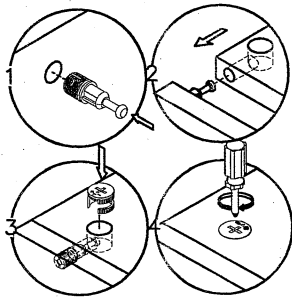


 (A)* 15 背板扣 Back Plate Buckle-White	 (B)* 32 层板托5mm shelf support	 (C)* 1 家具防倒器-白色 Anti-fall device white	 (D)* 3 透气孔盖-白色 Vent cover - white
 (E)* 4 杯径35直弯缓冲门铰 Straight bending hinge	 (F)* 2 杯径35中弯缓冲门铰 Middle bending hinge	 (G)* 13 二合一螺杆 (35mm) 2-in-1-screw	 (H)* 13 大三合一锁饼(15mm) 3-in-1 large lock
 (I)* 6 拉手螺丝-M4x18mm Pulling screw	 (J)* 1 斜边十字螺杆M8x25 bevel cross screw	 (K)* 15 自攻螺丝M3.5x16mm Self-tapping screw	 (L)* 17 自攻大扁M4*16mm Self tapping flat screw
 (M)* 8 木榫Ø8x30mm Wood tenon	 (N)* 6 透明圆形防滑垫 Nonslip plastic pad	 (O)* 3 铝合金黑色哑光拉手 Black matte handle	 (P)* 4 五金脚118*50*130mm Hardware foot
 (Q)* 2 棕色夹板条L=869mm Brown plywood strip	 (R)* 1 通用铁中脚 Iron middle leg		

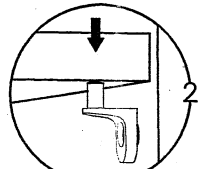
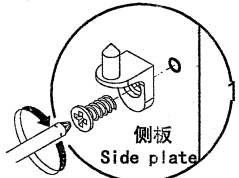
编号NO.	名称Name	规格 (mm) Specification	数量QTY	材质Material
①	面板Top panel	946*349*15	1	三胺板 Melamine
②	左侧板Side board(L)	884*349*15	1	三胺板 Melamine
③	右侧板Side board(R)	884*349*15	1	三胺板 Melamine
④	中侧板Middle side board	869*328*15	1	三胺板 Melamine
⑤	底板Bottom board	980*349*15	1	三胺板 Melamine
⑥	背板Back board	879*317*5	3	三胺板 Melamine
⑦	左活动层板Movable shelf(L)	628*328*15	4	三胺板 Melamine
⑧	右活动层板Movable shelf(R)	301*328*15	3	三胺板 Melamine
⑨	左门板Door board(L)	897*325*15	1	三胺板 Melamine
⑩	右门板Door board(R)	897*325*15	1	三胺板 Melamine
⑪	中门板Middle door board	897*325*15	1	三胺板 Melamine
⑫	玻璃面板Glass panel	980*366*5	1	玻璃 Glass

JQ2N-A

安装方法/  
Installation method

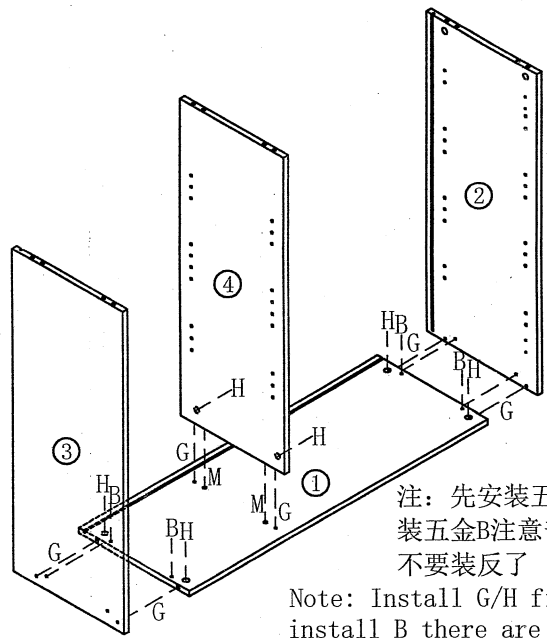


二合一/2-in-1



层板托5mm  
shelf support

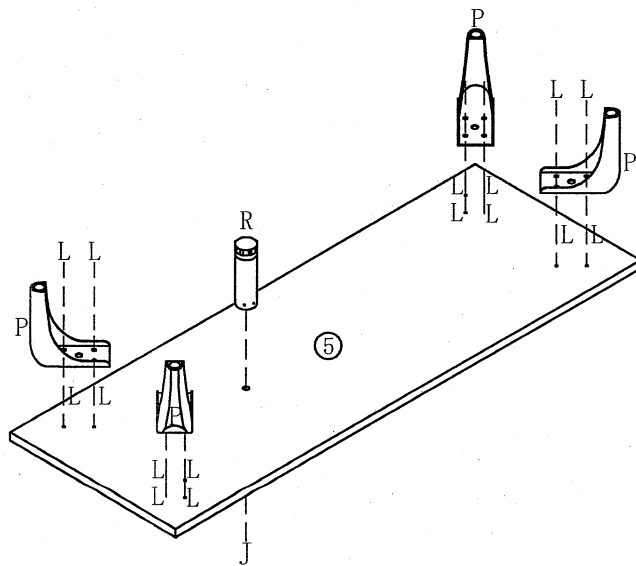
- (H)\*6
- (G)\*6
- (B)\*4
- (M)\*2



注：先安装五金G、H，再安装五金B注意部件④孔位较多，不要装反了

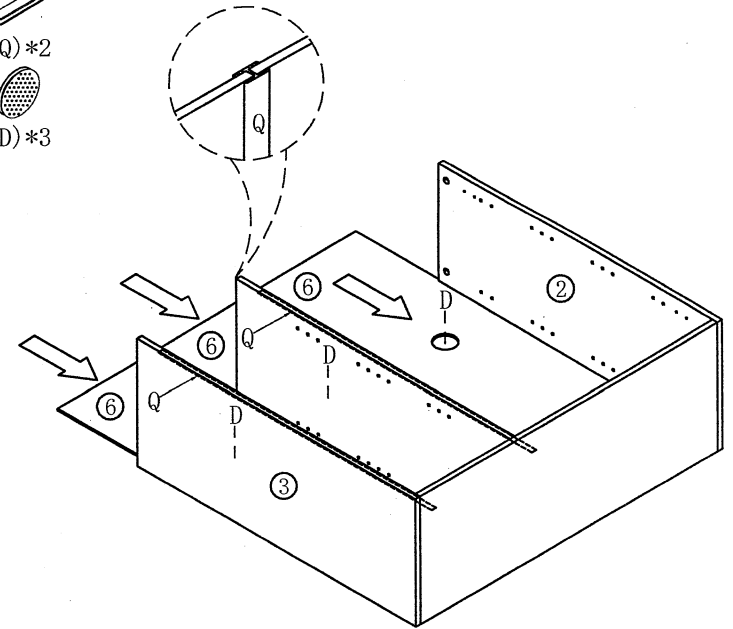
Note: Install G/H first, and then install B there are many holes in the 4 prts, and do not install them reversely

- (P)\*4
- (L)\*16
- (R)\*1
- (J)\*1



1

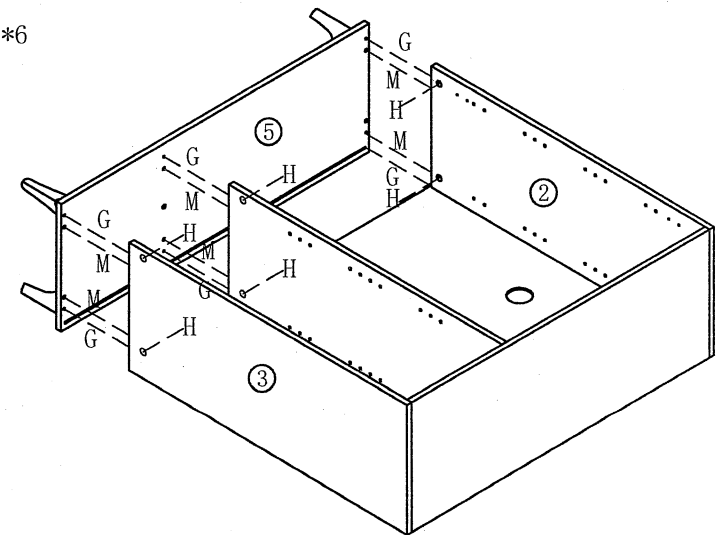
- (Q)\*2
- (D)\*3



2

3

- (H)\*6
- (M)\*6
- (G)\*6

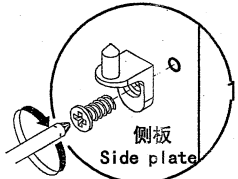


4

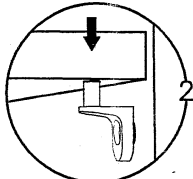
JQ2N-A

安装方法

Installation method



侧板  
Side plate

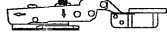


层板托5mm  
shelf support

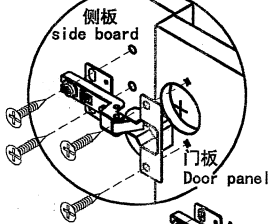
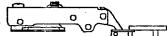
大弯big bend



中弯middle bending



直弯straight bending



侧板  
side board

门板  
Door panel

调节上下  
Adjust up and down

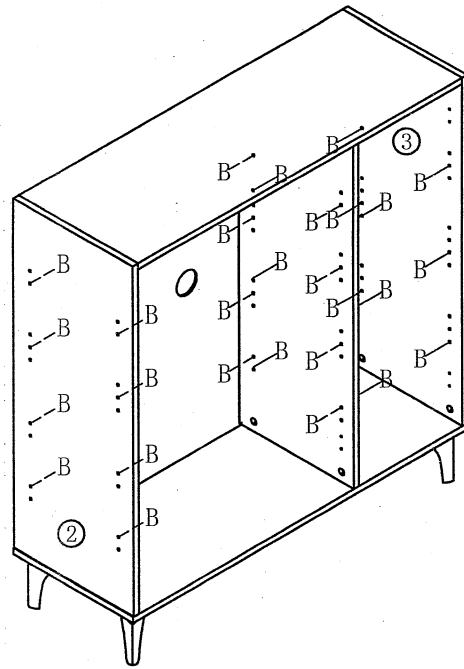
调节左右  
Adjust left and right

调节前后  
Before and after adjustment

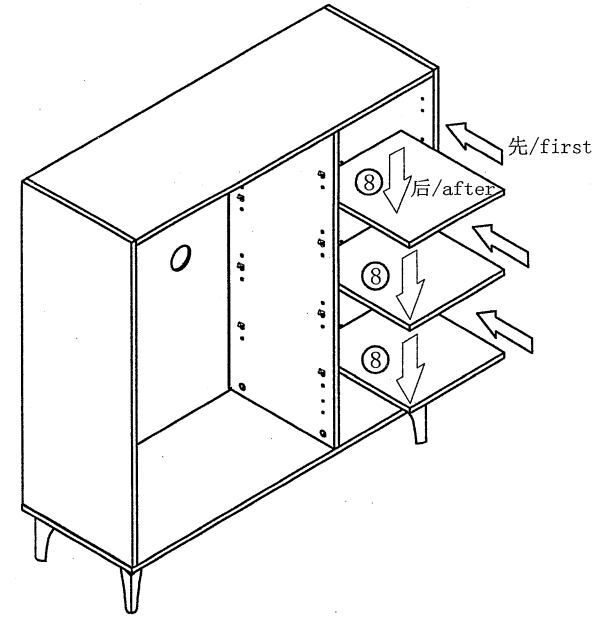
门铰 Hinge



(B)\*28

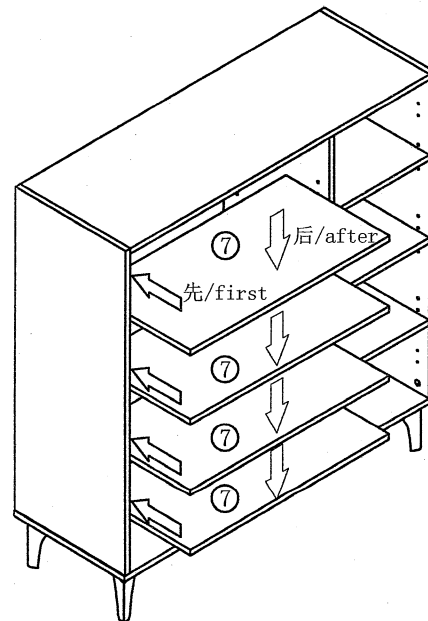


5



6

7



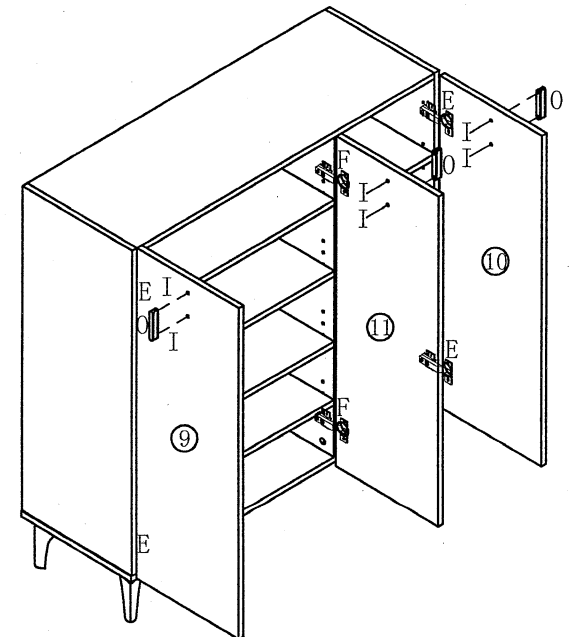
(E)\*4

(F)\*2

(O)\*3

(I)\*6

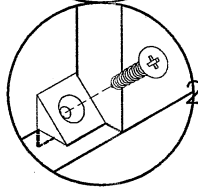
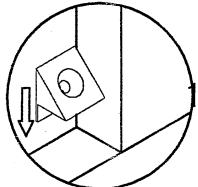
8



JQ2N-A

安装方法

Installation method



背板扣

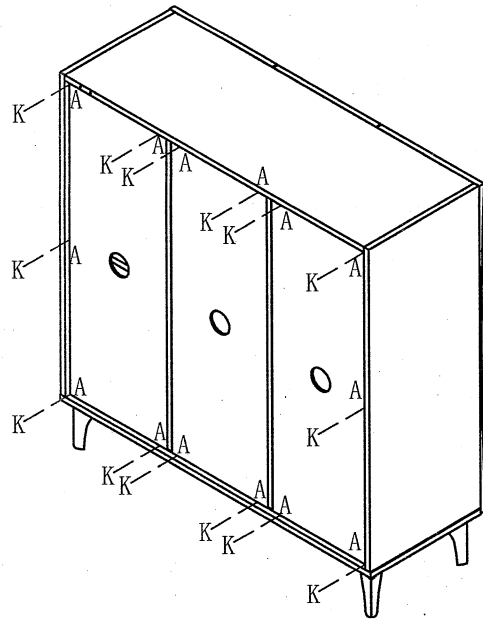
Back Plate Buckle-White



(A)\*14



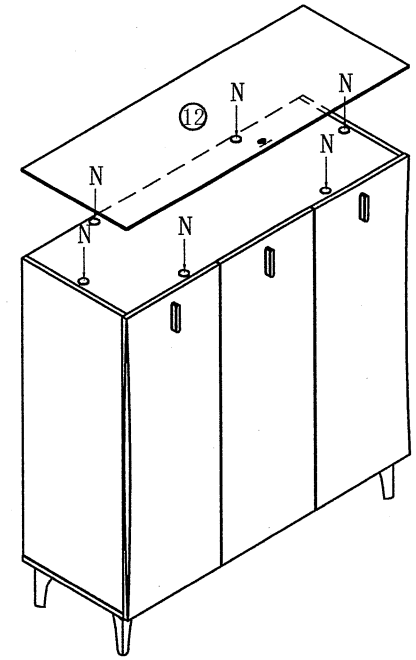
(K)\*14



9



(N)\*6

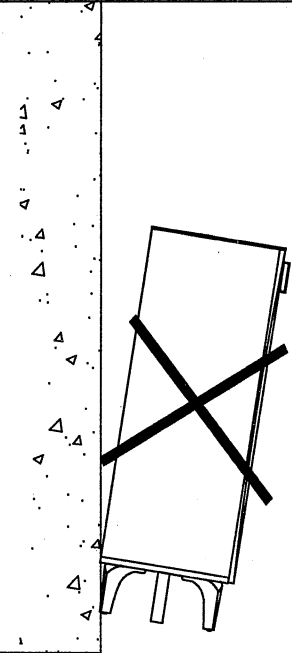
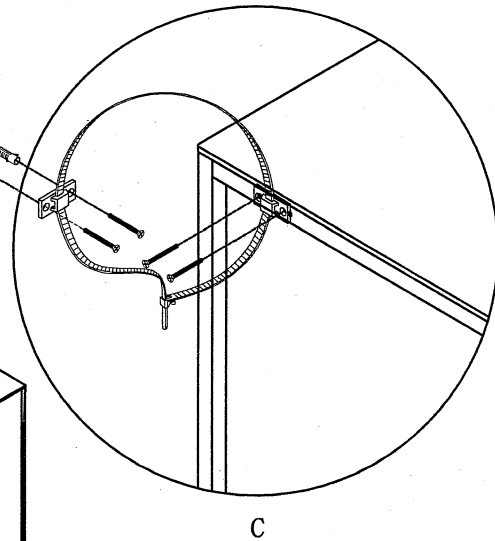
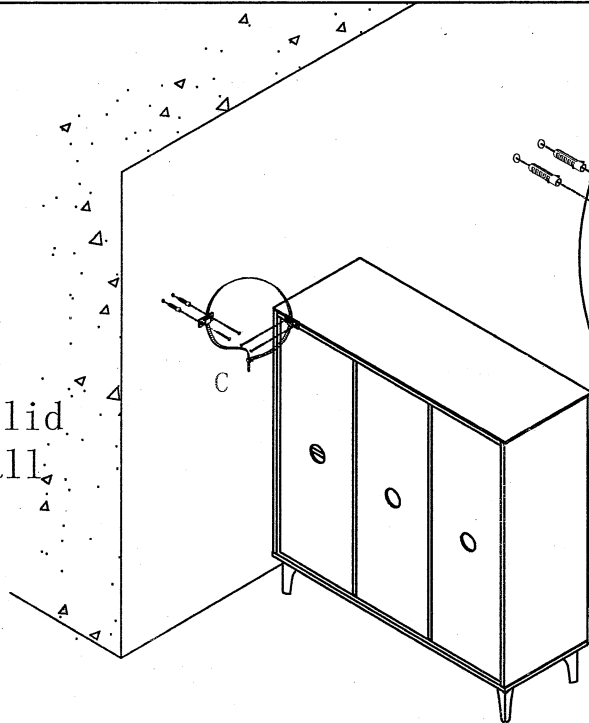


10



(C)\*1

实体墙  
Solid wall



11